

**WATER FALL Cascade spout for wall mounting - Dark Chrome**

IMO

13 420 979



- 120mm projection
- CASCADE, max. flow rate 26.5 l/min (at 3 bar)
- cover plate 240 x 60 mm
- 1/2" connection
- plug-link mounting
- WRAS 2111005

Fits: IMO, LULU, MADISON, MEM, TARA, CL.1, LISSÉ, VAIA, META, CYO

|  |                                |               |
|--|--------------------------------|---------------|
|    | Dark Chrome                    | 13 420 979-19 |
|    | Chrome                         | 13 420 979-00 |
|    | Brushed Platinum               | 13 420 979-06 |
|    | Platinum                       | 13 420 979-08 |
|    | Light Gold                     | 13 420 979-26 |
|    | Brushed Light Gold             | 13 420 979-27 |
|    | Brushed Durabronze (23kt Gold) | 13 420 979-28 |
|    | Matte Black                    | 13 420 979-33 |
|    | Brushed Bronze                 | 13 420 979-42 |
|   | Brushed Champagne (22kt Gold)  | 13 420 979-46 |
|  | Champagne (22kt Gold)          | 13 420 979-47 |
|  | Brushed Chrome                 | 13 420 979-93 |

**Recommended miscellaneous**



- Concealed wall elbow -**
- max. recess depth 163 mm
  - min. recess depth 90 mm

35 085 970 90

**Recommended miscellaneous**

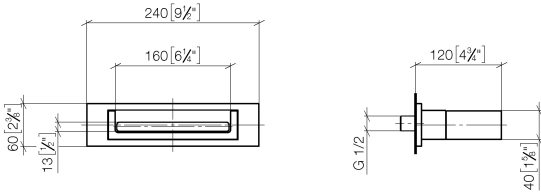


- Concealed wall elbow -**
- max. recess depth 163 mm
  - min. recess depth 90 mm

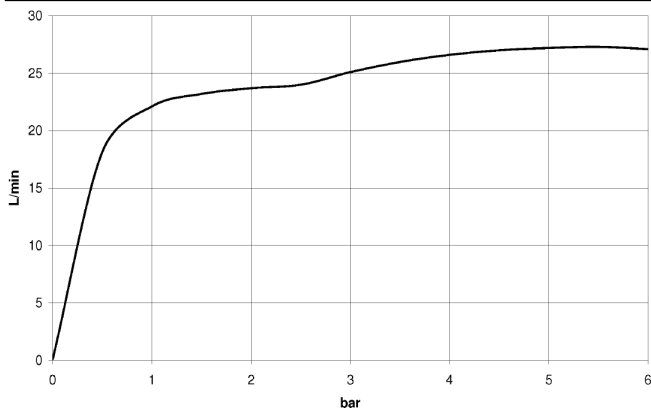
35 085 970 90

13 420 979

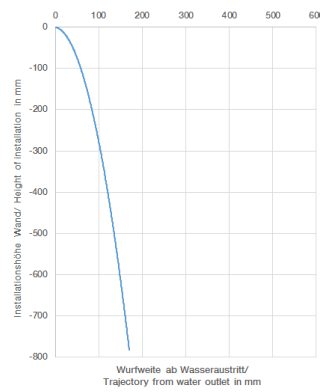
mm [inches]



**Flow rate chart**



**Trajectory diagram**



**Codes & Standards**

DIN 4109

ISO 3822

Ü-Zeichen



WATER FALL Cascade spout for wall mounting - Dark Chrome

---

IMO

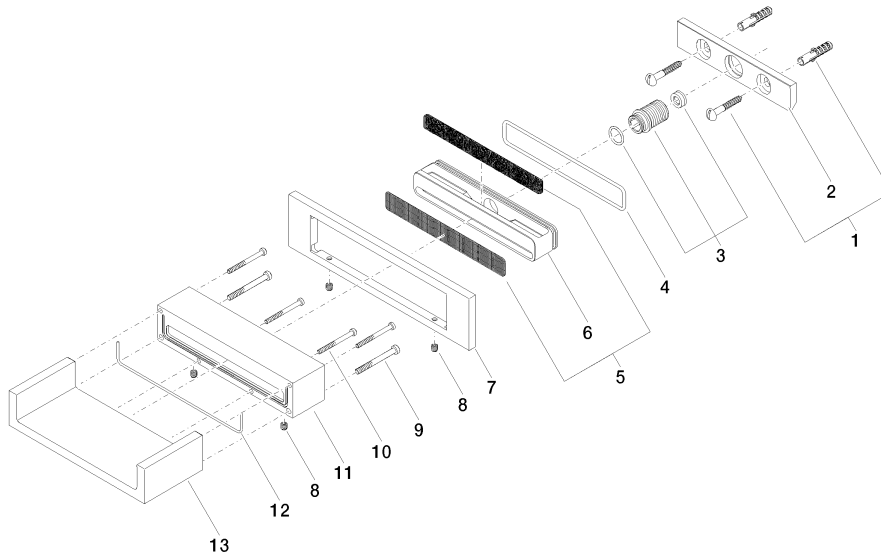
13 420 979

Certificates

---

LGA\_18

13 420 979





## WATER FALL Cascade spout for wall mounting - Dark Chrome

---

IMO

13 420 979

### **Spare parts list**