

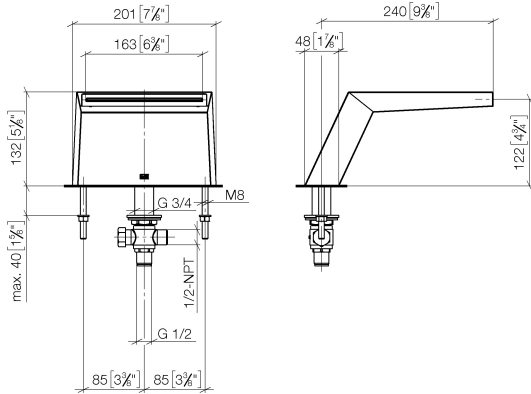
13 630 730



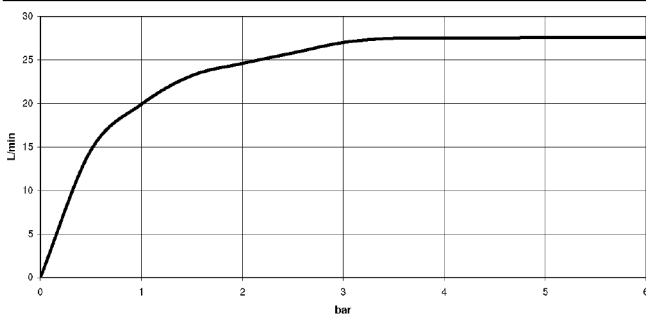
- 240mm projection
- cascade
- height of mixer 133 mm
- height up to aerator 120 mm
- hole diameter 32 mm
- 1/2" connection
- max. flow 26.5 l/min at 3 bar flow pressure

13 630 730

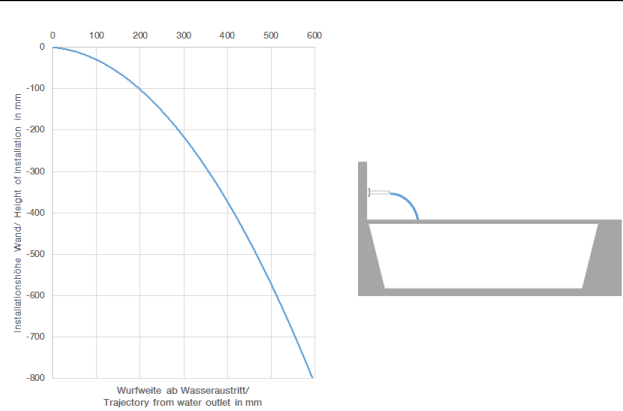
mm [inches]



Flow rate chart



Trajectory diagram



Codes & Standards

DIN 4109

ISO 3822

Ü-Zeichen



MEM Bath cascade spout without diverter for deck mounting - Chrome

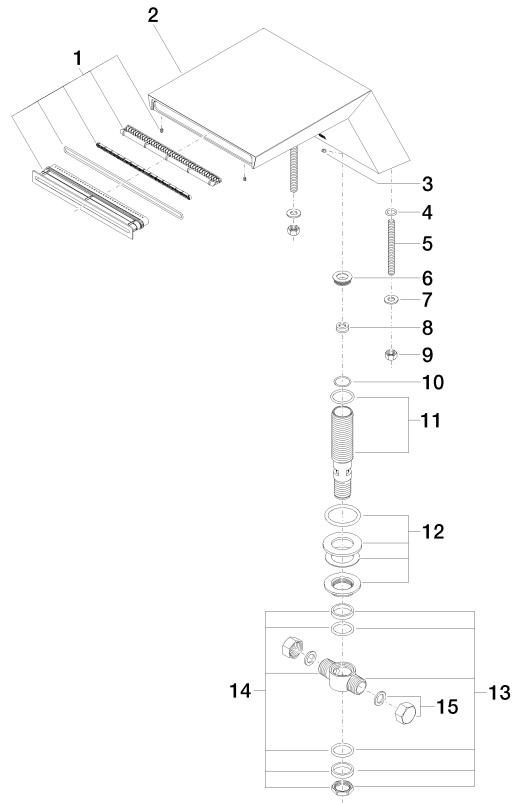
MEM

13 630 730

Certificates

LGA_19

13 630 730





MEM Bath cascade spout without diverter for deck mounting - Chrome

MEM

13 630 730

Spare parts list

No.	Item Number	Name	Quantity used	Delivery time
	90 29 03 059 00 90	insert	20	2