

TARA Pillar tap cold water - Brushed Champagne (22kt Gold)

17 500 892 Product version from 6/30/2009



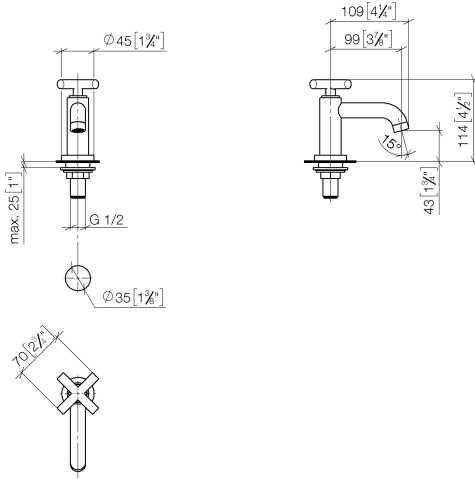
- 100mm projection
- fixed spout
- circular, air-enriched flow
- height of mixer 115 mm
- height up to aerator 40 mm
- hole diameter 35 mm
- 1/2" connection
- rosette Ø 45 mm
- max. flow 7 l/min
- lead-free
- This product can help a building meet the requirements of Green Building Rating Systems, e.g. LEED®, BREEAM®, DGNB

	Brushed Champagne (22kt Gold)	17 500 892-46
	Chrome	17 500 892-00
	Brushed Platinum	17 500 892-06
	Platinum	17 500 892-08
	Dark Chrome	17 500 892-19
	Brushed Durabronze (23kt Gold)	17 500 892-28
	Matte Black	17 500 892-33
	Brushed Bronze	17 500 892-42
	Champagne (22kt Gold)	17 500 892-47
	Brushed Chrome	17 500 892-93
	Brushed Dark Platinum	17 500 892-99

TARA Pillar tap cold water - Brushed Champagne (22kt Gold)

17 500 892 Product version from 6/30/2009

mm [inches]



Flow rate chart



Codes & Standards

DIN 4109

ISO 3822

Ü-Zeichen



TARA Pillar tap cold water - Brushed Champagne (22kt Gold)

17 500 892 Product version from 6/30/2009

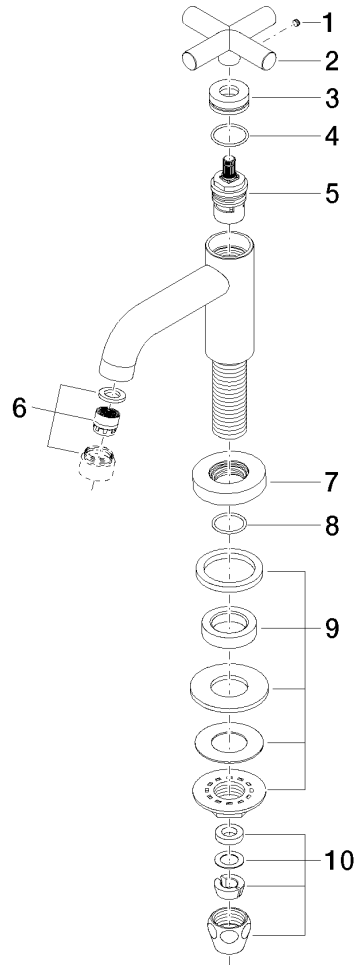
Certificates

LGA_18

TARA Pillar tap cold water - Brushed Champagne (22kt Gold)

17 500 892 Product version from 6/30/2009

Parts for other finishes can be found here: [Chrome](#)



Spare parts list

No.	Item Number	Name	Quantity used	Delivery time
1	09 31 11 055 90	pin	1	2
2	09 20 89 011-46	handle	1	30
3	09 21 02 089-46	sleeve	1	30
4	09 14 10 085 90	seal	1	2
5	90 90 03 135 00 90	top	1	2
6	90 23 01 068 01-46	aerator	1	30
7	09 27 89 106-46	rosette	1	30
8	90 14 10 032 00 90	seal	1	2
9	04 23 10 010 88 90	fixing set	1	2
10	90 23 30 040 00-46	threaded connector	1	-

Spare part can no longer be ordered, please order the replacement item