

## LOT HOT & COLD WATER DISPENSER - Brushed Platinum

17 871 680 Product version from 3/1/2025



- 145mm projection
- fixed spout
- laminar flow
- height of mixer 232 mm
- height up to laminar flow regulator 212 mm
- hole diameter 35 mm
- provides filtered, hot water up to 93°C
- Provides filtered water
- max. flow 3.8 l/min at 3 bar flow pressure
- mechanical valve
- lead-free
- lever

• This product can help a building meet the requirements of Green Building Rating Systems, e.g. LEED®, BREEAM®, DGNB

**A minimum flow pressure of 3 bar is necessary for the HOT & COLD WATER DISPENSER to work perfectly in conjunction with a hot water tank and filter.**

**The installation must be above a kitchen sink.**

**The filter cartridge must be changed every six months. The installation instructions contain further information for guidance.**

**Detailed planning information and technical data can be found at**

**[www.dornbracht.com/professional](http://www.dornbracht.com/professional)**

A minimum flow pressure of 3 bar is necessary for the HOT & COLD WATER DISPENSER to work perfectly in conjunction with a hot water tank and filter.

The installation must be above a kitchen sink.

The filter cartridge must be changed every six months. The installation instructions contain further information for guidance.

Detailed planning information and technical data can be found at [www.dornbracht.com/professional](http://www.dornbracht.com/professional)

	Brushed Platinum	17 871 680-06
	Chrome	17 871 680-00
	Platinum	17 871 680-08
	Dark Chrome	17 871 680-19
	Brushed Durabross (23kt Gold)	17 871 680-28
	Brushed Champagne (22kt Gold)	17 871 680-46
	Champagne (22kt Gold)	17 871 680-47
	Brushed Dark Platinum	17 871 680-99

### Required miscellaneous



Hot water tank incl. filter -

12 892 970 90

### Required miscellaneous



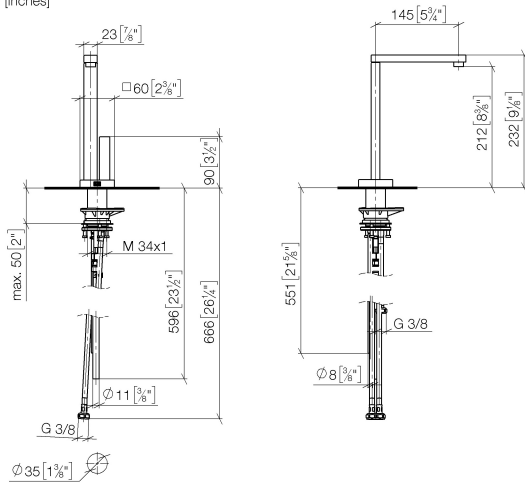
Hose set

12 530 970 90

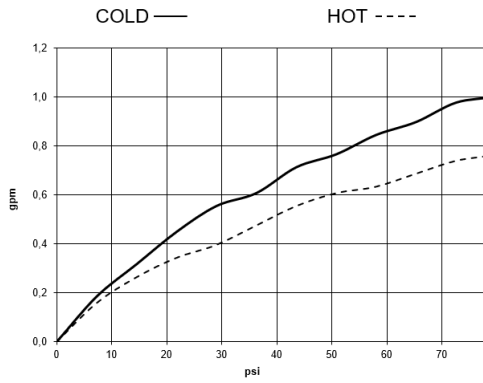
**LOT HOT & COLD WATER DISPENSER - Brushed Platinum**

17 871 680 Product version from 3/1/2025

mm [inches]

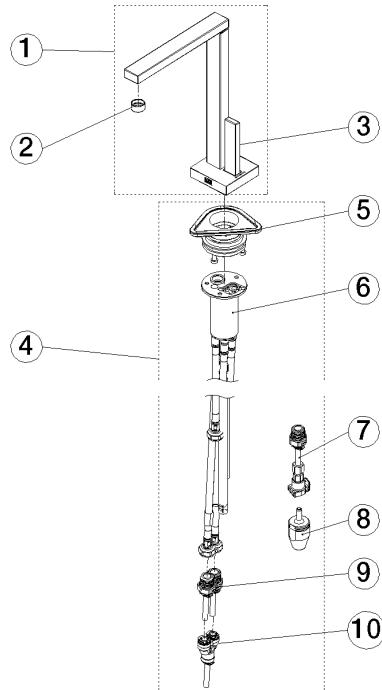


**Flow rate chart**



**LOT HOT & COLD WATER DISPENSER - Brushed Platinum**

17 871 680 Product version from 3/1/2025



**Spare parts list**

No.	Item Number	Name	Quantity used	Delivery time
1	90 17 87 168 00-06	spout	1	-
Spare part can no longer be ordered, please order the replacement item				
2	90 17 87 179 00 90	set	1	-
Spare part can no longer be ordered, please order the replacement item				