

17 872 888



- 146mm projection
- pivotable spout 360°
- laminar flow
- height of mixer 290 mm
- height up to laminar flow regulator 182 mm
- hole diameter 35 mm
- Provides filtered, cold water or filtered, chilled water (depending on your combination)
- max. flow 3.8 l/min at 3 bar flow pressure
- mechanical valve
- lead-free
- This product can help a building meet the requirements of Green Building Rating Systems, e.g. LEED®, BREEAM®, DGNB

Compatible with standard filtration systems or chillers with 1/4" compression connection.

In addition, the installation must be above a kitchen sink.

The filter cartridge must be changed every six months. The installation instructions contain further information for guidance.

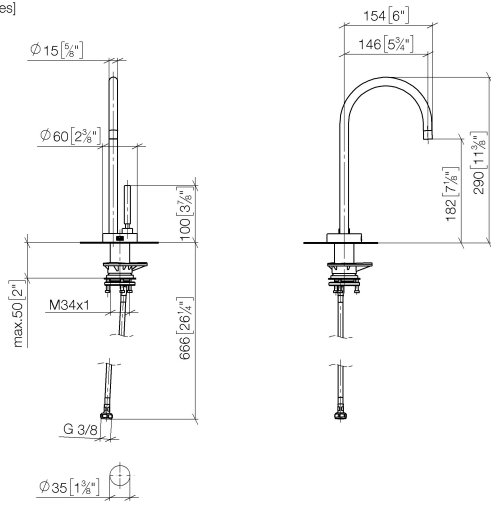
Detailed planning information and technical data can be found at www.dornbracht.com/professional

Available for delivery from the fourth quarter of 2024.

	Chrome	17 872 888-00
	Brushed Platinum	17 872 888-06
	Platinum	17 872 888-08
	Durabrand (23kt Gold)	17 872 888-09
	Dark Chrome	17 872 888-19
	Brushed Durabrand (23kt Gold)	17 872 888-28
	Matte Black	17 872 888-33
	Brushed Champagne (22kt Gold)	17 872 888-46
	Champagne (22kt Gold)	17 872 888-47
	Brushed Chrome	17 872 888-93
	Brushed Dark Platinum	17 872 888-99

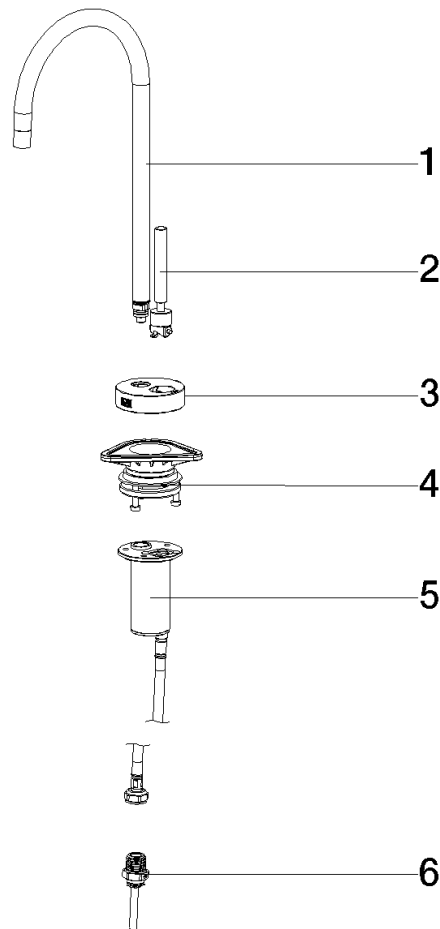
17 872 888

mm [inches]



17 872 888

Parts for other finishes can be found here: **Brushed**
Platinum



Spare parts list

No.	Item Number	Name	Quantity used	Delivery time
1	90 28 22 460 00-00	spout	1	-
Spare part can no longer be ordered, please order the replacement item				
2	90 20 87 022 00-00	handle	1	-
Spare part can no longer be ordered, please order the replacement item				
3	90 27 87 071 00-00	rosette	1	-
Spare part can no longer be ordered, please order the replacement item				
4	90 30 10 057 00 90	fixing set	1	-
Spare part can no longer be ordered, please order the replacement item				
5	90 30 01 221 00 90	hose	1	60
6	90 24 04 293 02 90	adaptor	1	60