

**Deck valve anti-clockwise closing cold - Brushed Dark Platinum**



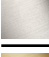



CL.1

20 004 716

- hole diameter 32 mm
- rosette 60 x 47 mm
- with cold marking

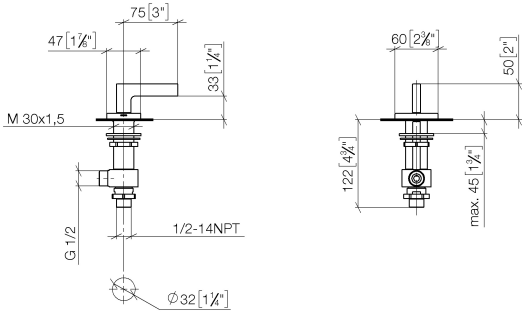


Fits: CL.1, CYO

	Brushed Dark Platinum	20 004 716-99
	Chrome	20 004 716-00
	Brushed Platinum	20 004 716-06
	Brushed Durabronze (23kt Gold)	20 004 716-28
	Brushed Champagne (22kt Gold)	20 004 716-46
	Champagne (22kt Gold)	20 004 716-47

20 004 716

mm [inches]



Flow rate chart



Codes & Standards

ASME A112.18.1

cUPC

DIN 4109

ISO 3822

NSF372

NSF61

Ü-Zeichen



Deck valve anti-clockwise closing cold - Brushed Dark Platinum

CL.1

20 004 716

Certificates

IAPMO\_4976

IAPMO\_N-4

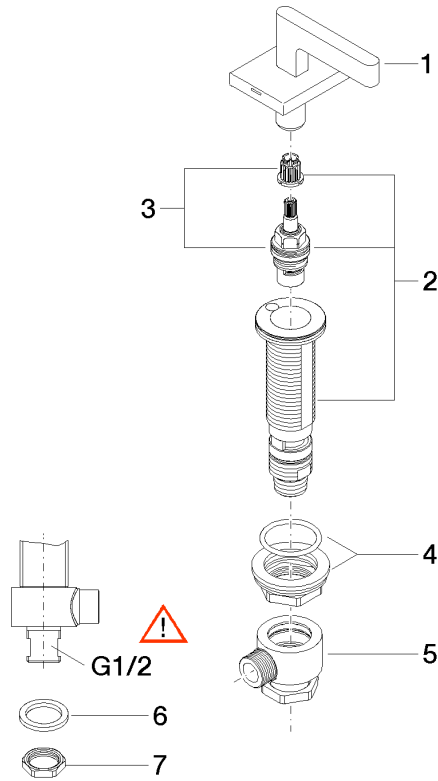
LGA\_28

IAPMO\_6

20 004 716

**Product version from 6/1/2015**

Parts for other finishes can be found here: [Chrome](#)





Deck valve anti-clockwise closing cold - Brushed Dark Platinum

CL.1

20 004 716

**Spare parts list**

**Product version from 6/1/2015**

No.	Item Number	Name	Quantity used	Delivery time
	90 20 70 057 03-99	handle ( cold )	7	30