







22 500 360



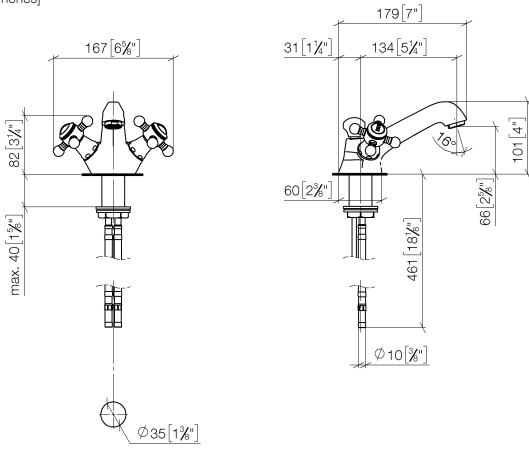
- 130mm projection
- fixed spout
- circular, air-enriched flow
- height of mixer 100 mm
- height up to aerator 65 mm
- hole diameter 35 mm
- 2x screw-in M 10 x 1 pressure hose, leak-tested
- max. flow 7 l/min
- lead-free
- This product can help a building meet the requirements of Green Building Rating Systems, e.g. LEED®, BREEAM®, DGNB
- WRAS 2107051

Only suitable for basins with an overflow.

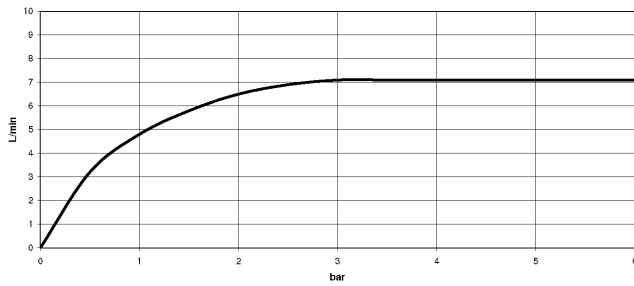
	Brushed Platinum	22 500 360-06
	Chrome	22 500 360-00
	Platinum	22 500 360-08
	Durabress (23kt Gold)	22 500 360-09
	Brushed Durabress (23kt Gold)	22 500 360-28
	Brushed Dark Platinum	22 500 360-99

22 500 360

mm [inches]



**Flow rate chart**



**Codes & Standards**

DIN 4109

EN 200

ISO 3822

Scottish Water  
Byelaws

UK Water Supply  
Regulations

Ü-Zeichen

VA-Zeichen



MADISON Single-hole basin mixer with pop-up waste - Brushed Platinum

MADISON

22 500 360

Certificates

WRAS\_2107

LGA\_8

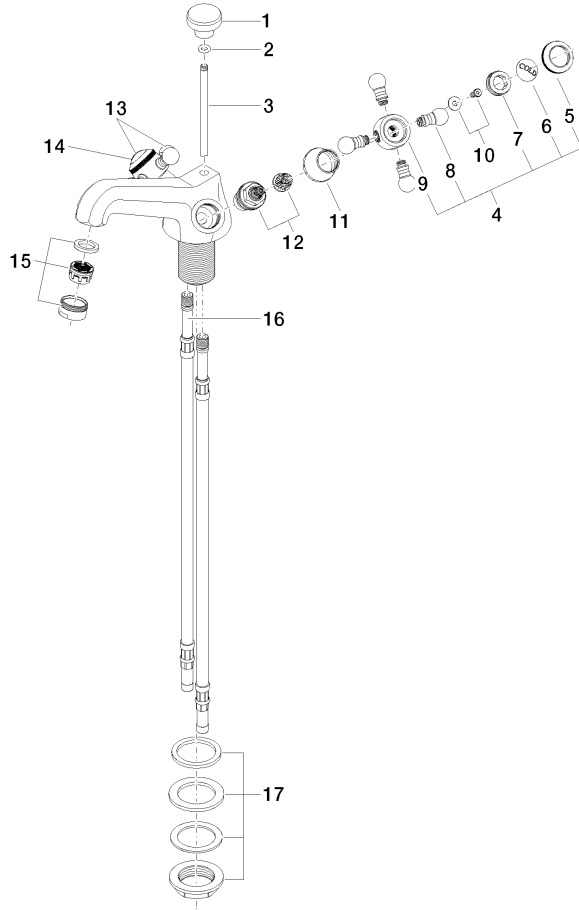
ETA\_17

22 500 360

Product version from 7/31/2009 to 9/7/2021

**Product version from 9/1/2021**

Parts for other finishes can be found here: [Chrome](#)



18 — Abzugarnitur 04.11.01.001.00-#



MADISON Single-hole basin mixer with pop-up waste - Brushed Platinum

MADISON

22 500 360

Spare parts list

Product version from 7/31/2009 to 9/7/2021

**Product version from 9/1/2021**

No.	Item Number	Name	Quantity used	Delivery time
	09 20 36 030-06	handle	28	10