

TARA Single-hole basin mixer with pop-up waste - Brushed Durabronze (23kt Gold)

TARA

22 513 892 Product version from 5/27/2021



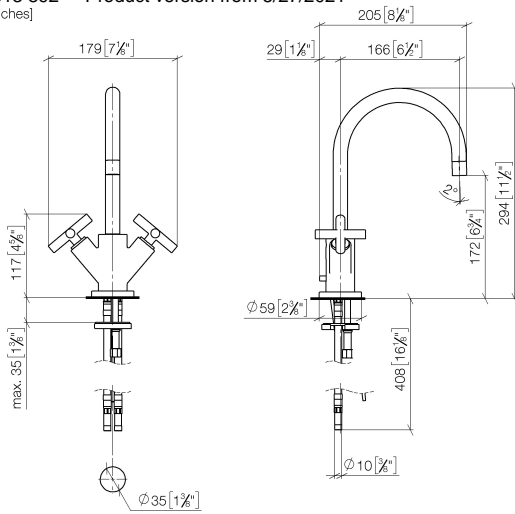
- 165mm projection
- pivotable spout 360°
- circular, air-enriched flow
- height of mixer 295 mm
- height up to aerator 172 mm
- hole diameter 35 mm
- rosette Ø 59 mm
- 2x screw-in M 10 x 1 pressure hose, leak-tested
- max. flow 7 l/min
- lead-free
- This product can help a building meet the requirements of Green Building Rating Systems, e.g. LEED®, BREEAM®, DGNB
- WRAS

Only suitable for basins with an overflow.

	Brushed Durabronze (23kt Gold)	22 513 892-28
	Chrome	22 513 892-00
	Brushed Platinum	22 513 892-06
	Platinum	22 513 892-08
	Dark Chrome	22 513 892-19
	Matte Black	22 513 892-33
	Brushed Bronze	22 513 892-42
	Brushed Champagne (22kt Gold)	22 513 892-46
	Champagne (22kt Gold)	22 513 892-47
	Brushed Chrome	22 513 892-93
	Brushed Dark Platinum	22 513 892-99

22 513 892 Product version from 5/27/2021

mm [inches]



Flow rate chart



Codes & Standards

DIN 4109

EN 200

Executive Order
no. 1007

ISO 3822

Scottish Water
Byelaws

UK Water Supply
Regulations

Ü-Zeichen

VA-Zeichen



TARA Single-hole basin mixer with pop-up waste - Brushed Durabross (23kt Gold)

TARA

22 513 892 Product version from 5/27/2021

Certificates

ETA_18

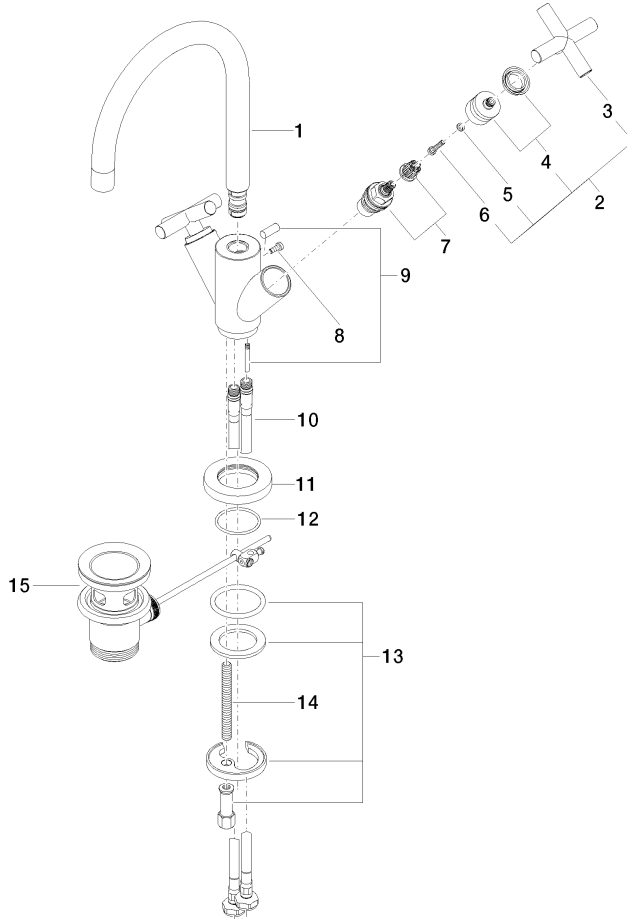
LGA_18

GDV_0400

WRAS_240702

22 513 892 Product version from 5/27/2021

Parts for other finishes can be found here: [Chrome](#)



Spare parts list

No.	Item Number	Name	Quantity used	Delivery time
1	90 28 22 213 01-28	spout	1	20
2	90 20 89 010 10-28	handle	2	20
3	09 20 89 010-28	handle	2	60
4	90 12 12 007 00-28	base	2	20
5	90 30 11 029 00 90	disc	2	2
6	90 30 30 075 00 90	screw	2	2
7	90 90 03 151 00 90	top	2	2
8	09 30 30 054 90	screw	1	2
9	04 20 89 035 80-28	pull-rod	1	20
10	04 30 04 104 00 90	hose	2	2
11	09 28 10 132-28	ring	1	20
12	09 14 10 134 90	seal	1	2
13	04 30 11 038 00 90	fixing set	1	2
14	09 31 11 011 90	pin	1	2
15	90 11 01 001 00-28	pop-up waste	1	20