

**META Single-lever basin mixer with stand pipe without pop-up waste - Brushed Light Gold**

META

22 584 660



- 196mm projection
- fixed spout
- circular, air-enriched flow
- total height 1033 - 1103 mm
- height up to aerator 951 – 1021 mm
- rosette Ø 135 mm
- max. flow 5.7 l/min
- lead-free
- This product can help a building meet the requirements of Green Building Rating Systems, e.g. LEED®, BREEAM®, DGNB
- WRAS 240102015

	Brushed Light Gold	22 584 660-27
	Chrome	22 584 660-00
	Brushed Platinum	22 584 660-06
	Dark Chrome	22 584 660-19
	Light Gold	22 584 660-26
	Matte Black	22 584 660-33
	Brushed Bronze	22 584 660-42
	Brushed Champagne (22kt Gold)	22 584 660-46
	Champagne (22kt Gold)	22 584 660-47
	Brushed Chrome	22 584 660-93
	Brushed Dark Platinum	22 584 660-99

**Required miscellaneous**



**Concealed floor mounting -** 35 945 970 90  
 •min. recess depth 80 mm  
 •max. recess depth 150 mm

**Required miscellaneous**

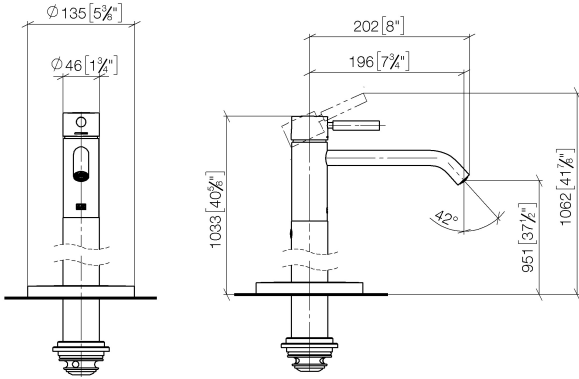


**Concealed floor mounting -** 35 945 970 90  
 •min. recess depth 80 mm  
 •max. recess depth 150 mm

**META Single-lever basin mixer with stand pipe without pop-up waste - Brushed Light Gold**

META

22 584 660  
mm [inches]



**Flow rate chart**



**Codes & Standards**

DIN 4109

ISO 3822

Scottish Water  
Byelaws

UK Water Supply  
Regulations

**Ü-Zeichen**



META Single-lever basin mixer with stand pipe without pop-up waste - Brushed  
Light Gold

---

META

22 584 660

Certificates

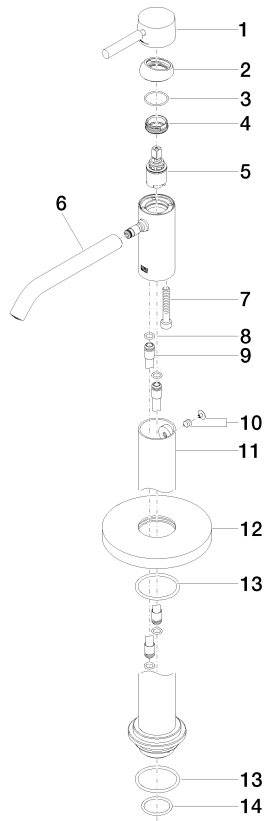
---

WRAS\_240102

LGA\_38

22 584 660

Product version from 5/1/2022





**META Single-lever basin mixer with stand pipe without pop-up waste - Brushed Light Gold**

META

22 584 660

**Spare parts list**

**Product version from 5/1/2022**

No.	Item Number	Name	Quantity used	Delivery time
	90 20 66 002 00-27	handle	17	30