

Profi spray set - Brushed Bronze

27 799 970 Product version from 10/1/2024



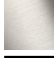






- spray flow
- automatic diverter for spout/Profi spray set
- height of mixer 665 mm
- individual rosette diameter 55mm
- profi spray hole diameter 30mm
- sprayface with anti-scaling system
- lead-free

Can only be combined with 32815682, 33826861, 32815861, 33836888, 32816888, 20816892, 33836875, 32815875.

Intrinsic protection against back flow.

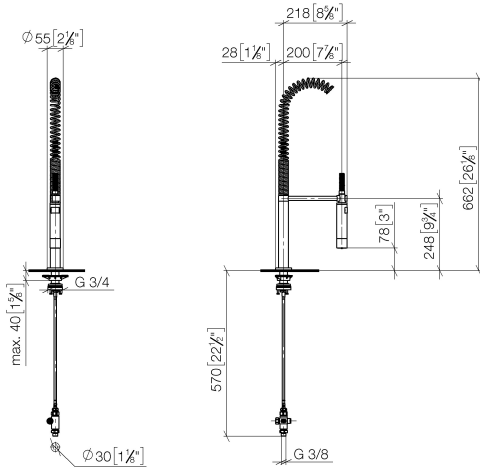
Operating unit can be positioned freely.

	Brushed Bronze	27 799 970-42
	Chrome	27 799 970-00
	Brushed Platinum	27 799 970-06
	Platinum	27 799 970-08
	Dark Chrome	27 799 970-19
	Brushed Chrome	27 799 970-93
	Brushed Dark Platinum	27 799 970-99

Profi spray set - Brushed Bronze

27 799 970 Product version from 10/1/2024

mm [inches]
1:10



Flow rate chart



Codes & Standards

DIN 4109

EN 1717

ISO 3822

NSF372

NSF61

Ü-Zeichen



Profi spray set - Brushed Bronze

27 799 970 Product version from 10/1/2024

Certificates

IAPMO_6397

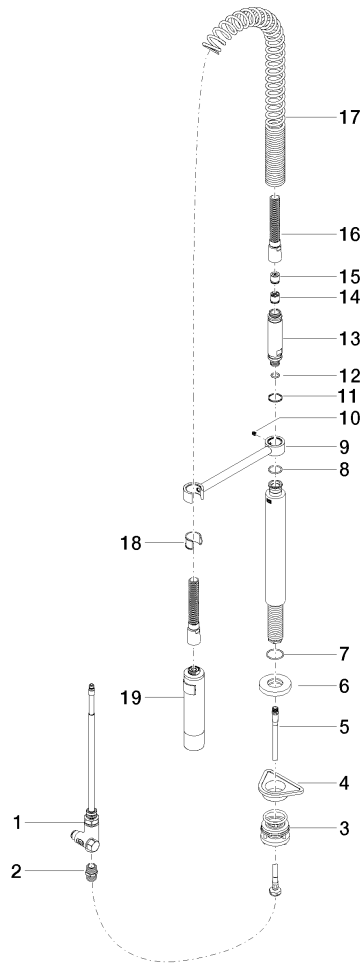
LGA_38

Belgaqua_24-005-2 IAPMO_N-4976

Profi spray set - Brushed Bronze

27 799 970 Product version from 10/1/2024

Parts for other finishes can be found here: [Chrome](#)



Spare parts list

No.	Item Number	Name	Quantity used	Delivery time
1	90 17 09 046 12 90	diverter	1	2
2	90 24 03 250 00 90	nipple	1	2
3	04 23 10 004 03 90	fixing set	1	2
4	09 18 40 090 90	sleeve	1	2
5	04 30 04 104 00 90	hose	1	2
6	90 27 86 000 00-42	rosette	1	30
7	09 14 10 120 90	seal	1	2
8	09 14 10 031 90	seal	1	2
9	04 17 20 014 00-42	holder	1	60
10	09 31 11 049 90	pin	1	2
11	09 14 15 012 90	ring	1	2
12	09 14 10 003 90	seal	1	2
13	09 30 01 067 10-42	adaptor	1	60
14	90 23 01 141 00 90	back-flow preventer	1	2
15	09 23 01 046 90	back-flow preventer	1	2
16	90 30 02 065 00-42	hose	1	30
17	09 16 02 034 90	spring	1	2
18	90 18 40 035 00 90	sleeve	1	2
19	04 12 11 094 10-42	shower	1	60