







MADISON Rain shower with wall fixing FlowReduce 200 mm - Platinum

28 544 977

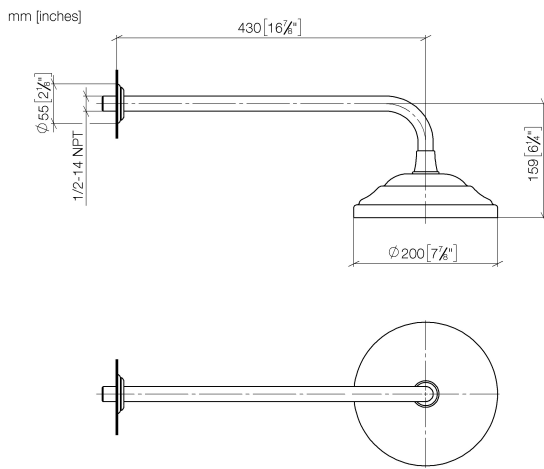


- 435mm projection
- rain shower Ø 200 mm
- rain flow
- max. flow 7 l/min
- Function from: 6.5 l/min
- rosette Ø 55 mm
- 1/2" connection
- with anti-scale system
- This product can help a building meet the requirements of Green Building Rating Systems, e.g. LEED®, BREEAM®, DGNB

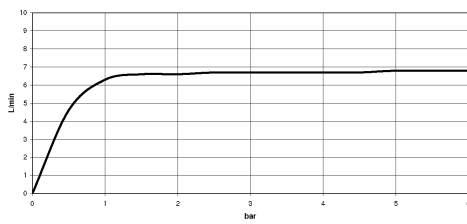
	Platinum	28 544 977-08
	Chrome	28 544 977-00
	Brushed Platinum	28 544 977-06
	Durabrand (23kt Gold)	28 544 977-09
	Brushed Durabrand (23kt Gold)	28 544 977-28
	Brushed Dark Platinum	28 544 977-99

MADISON Rain shower with wall fixing FlowReduce 200 mm - Platinum

28 544 977



Flow rate chart



Codes & Standards

DIN 4109

ISO 3822

Scottish Water
Byelaws

UK Water Supply
Regulations

Ü-Zeichen



MADISON Rain shower with wall fixing FlowReduce 200 mm - Platinum

28 544 977

Certificates

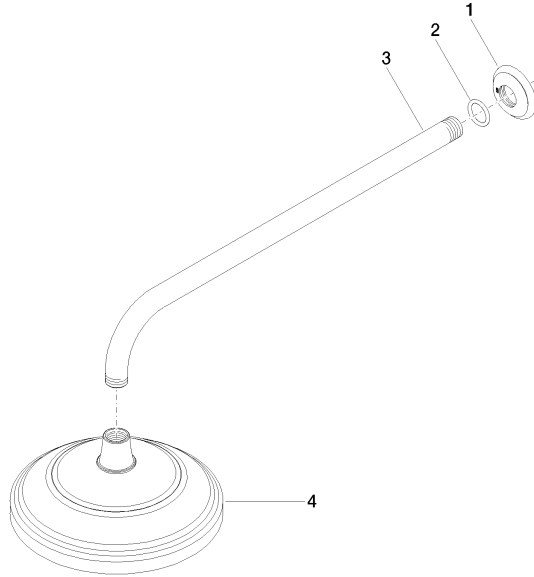
LGA_38

WRAS_250102

MADISON Rain shower with wall fixing FlowReduce 200 mm - Platinum

28 544 977

Parts for other finishes can be found here: [Chrome](#)



Spare parts list

No.	Item Number	Name	Quantity used	Delivery time
1	09 27 35 003-08	rosette	1	40
2	90 14 10 026 00 90	seal	1	2
3	09 11 03 017-08	connection	1	40
4	90 12 05 038 20-08	shower	1	40