

28 678 670

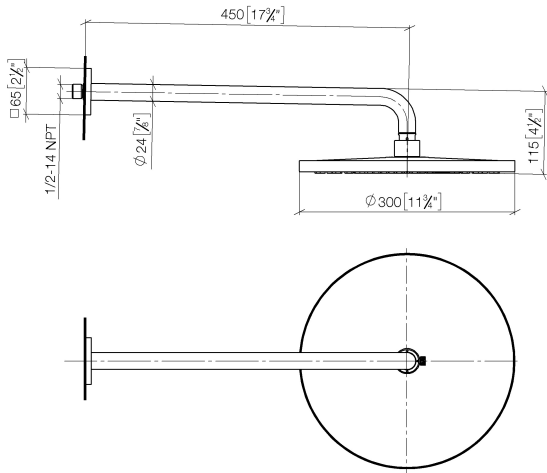


- 450mm projection
- rain shower Ø 300 mm
- rain flow
- max. flow 9 l/min
- Function from: 7 l/min
- rosette 65 x 65 mm
- 1/2" connection
- with anti-scale system
- quick clearing
- This product can help a building meet the requirements of Green Building Rating Systems, e.g. LEED®, BREEAM®, DGNB

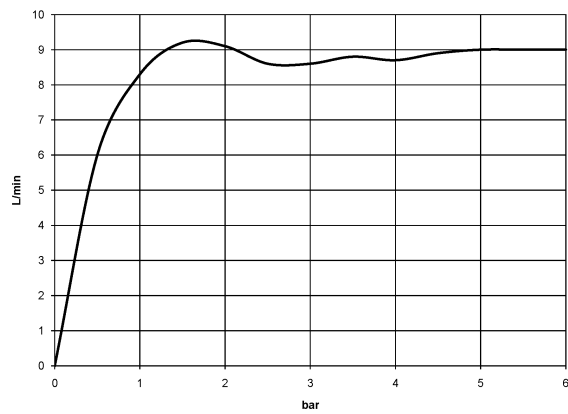
|   |                                     |               |
|---|-------------------------------------|---------------|
|    | brushed chrome                      | 28 678 670-93 |
|    | Chrome                              | 28 678 670-00 |
|    | Brushed Platinum                    | 28 678 670-06 |
|    | Platinum                            | 28 678 670-08 |
|    | Dark Chrome                         | 28 678 670-19 |
|    | Brushed Light Gold                  | 28 678 670-27 |
|    | Brushed Durabronze<br>(23kt Gold)   | 28 678 670-28 |
|    | Matte Black                         | 28 678 670-33 |
|    | Brushed<br>Champagne (22kt<br>Gold) | 28 678 670-46 |
|   | Champagne (22kt<br>Gold)            | 28 678 670-47 |
|  | Brushed Dark<br>Platinum            | 28 678 670-99 |

28 678 670

mm [inches]



Flow rate chart



Certificates

LGA\_29235.



## Rain shower with wall fixing FlowReduce 300 mm - brushed chrome

IMO

28 678 670

### Spare parts list

| No. | Item Number        | Name       | Quantity used | Delivery time |
|-----|--------------------|------------|---------------|---------------|
| 1   | 04 30 31 032 00 90 | fixing set | 1             | 2             |
| 2   | 09 17 20 120 90    | holder     | 1             | 2             |
| 3   | 09 14 10 150 90    | seal       | 2             | 2             |
| 4   | 09 27 67 015-93    | rosette    | 1             | 20            |
| 5   | 90 11 03 070 00-93 | pipe       | 1             | 20            |
| 6   | 09 23 01 075 90    | insert     | 1             | 2             |
| 7   | 90 12 05 091 20-93 | shower     | 1             | 20            |
| 8   | 90 30 09 069 00 90 | key        | 1             | 2             |