


32 805 680



- 165mm projection
 - pivotable spout 360°
 - air-enriched flow
 - height of mixer 230 mm
 - height up to laminar flow regulator 205 mm
 - individual rosette 55 x 55 mm
 - hole diameter spout 35 mm
 - single-lever mixer hole diameter 44 mm
 - max. flow 8 l/min at 3 bar flow pressure
 - lead-free
 - WRAS 1909073
 - This product can help a building meet the requirements of Green Building Rating Systems, e.g. LEED®, BREEAM®, DGNB
- Operating unit can be positioned freely.

| | | |
|---|--------------------------------|---------------|
|  | Chrome | 32 805 680-00 |
|  | Brushed Platinum | 32 805 680-06 |
|  | Platinum | 32 805 680-08 |
|  | Dark Chrome | 32 805 680-19 |
|  | Brushed Durabronze (23kt Gold) | 32 805 680-28 |
|  | Brushed Champagne (22kt Gold) | 32 805 680-46 |
|  | Champagne (22kt Gold) | 32 805 680-47 |
|  | Brushed Dark Platinum | 32 805 680-99 |

Recommended miscellaneous

Strainer waste with control handle - Chrome 10 711 970-00

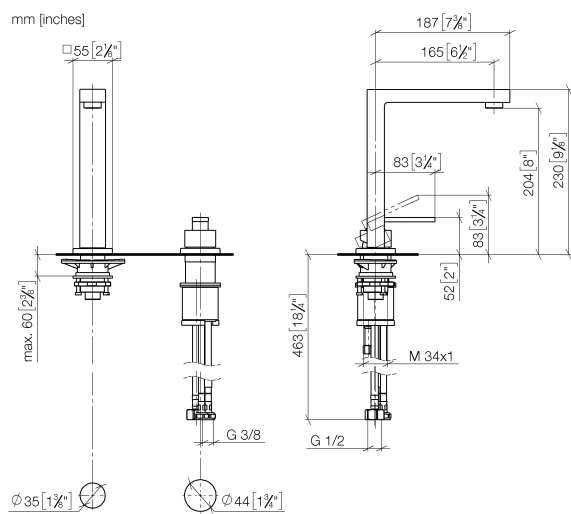


Recommended miscellaneous

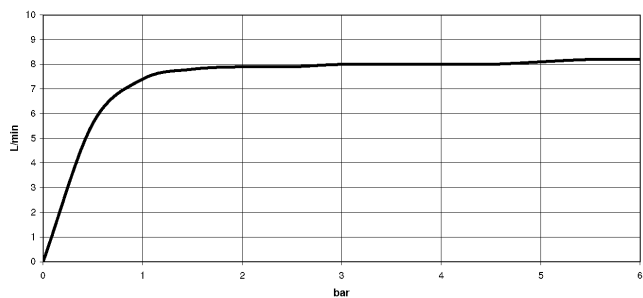
Dispenser with rosette - Chrome 82 439 970-00



32 805 680



Flow rate chart



Certificates

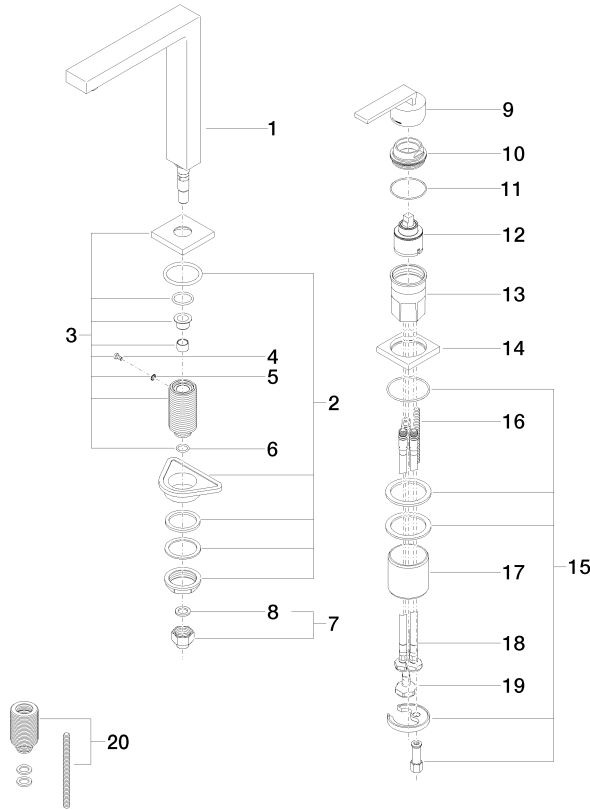
GDV_0400283.

WRAS_1909073.

LGA_18887.

ETA_18986.

32 805 680



Spare parts list

| No. | Item Number | Name | Quantity used | Delivery time |
|-----|--------------------|-----------------|---------------|---------------|
| 1 | 90 11 06 192 04-00 | spout | 1 | 10 |
| 2 | 04 23 10 044 01 90 | fixing set | 1 | 2 |
| 3 | 90 27 78 023 00-00 | rosette | 1 | 10 |
| 4 | 09 30 30 057 90 | screw | 1 | 2 |
| 5 | 09 30 11 028 90 | disc | 1 | 2 |
| 6 | 90 14 10 077 00 90 | seal | 1 | 2 |
| 7 | 04 24 04 166 10 90 | nipple | 1 | 2 |
| 8 | 90 14 20 002 00 90 | seal | 1 | 2 |
| 9 | 90 20 78 040 00-00 | handle | 1 | 10 |
| 10 | 09 24 04 142-00 | nut | 1 | 10 |
| 11 | 09 14 10 037 90 | seal | 1 | 2 |
| 12 | 90 15 05 045 00 90 | cartridge | 1 | 2 |
| 13 | 09 30 01 100 10 90 | sleeve | 1 | 2 |
| 14 | 09 27 78 007-00 | rosette | 1 | 10 |
| 15 | 04 30 11 038 02 90 | fixing set | 1 | 2 |
| 16 | 09 31 11 011 90 | pin | 1 | 2 |
| 17 | 09 18 40 079 90 | sleeve | 1 | 2 |
| 18 | 04 30 04 104 00 90 | hose | 2 | 2 |
| 19 | 04 30 04 019 00 90 | hose | 1 | 2 |
| 20 | 12 802 970 90 | Extension set - | 1 | 60 |