

**LOT BAR TAP Two-hole mixer with individual rosettes - Brushed Platinum**

LOT

32 805 680



- 165mm projection
- pivotable spout 360°
- air-enriched flow
- height of mixer 230 mm
- height up to laminar flow regulator 205 mm
- individual rosette 55 x 55 mm
- hole diameter spout 35 mm
- single-lever mixer hole diameter 44 mm
- max. flow 8 l/min at 3 bar flow pressure
- lead-free
- WRAS 1909073
- This product can help a building meet the requirements of Green Building Rating Systems, e.g. LEED®, BREEAM®, DGNB

Operating unit can be positioned freely.

	Brushed Platinum	32 805 680-06
	Chrome	32 805 680-00
	Platinum	32 805 680-08
	Dark Chrome	32 805 680-19
	Brushed Durabronze (23kt Gold)	32 805 680-28
	Brushed Champagne (22kt Gold)	32 805 680-46
	Champagne (22kt Gold)	32 805 680-47
	Brushed Dark Platinum	32 805 680-99

**Recommended miscellaneous**

**Strainer waste with control handle - Brushed Platinum** 10 711 970-06

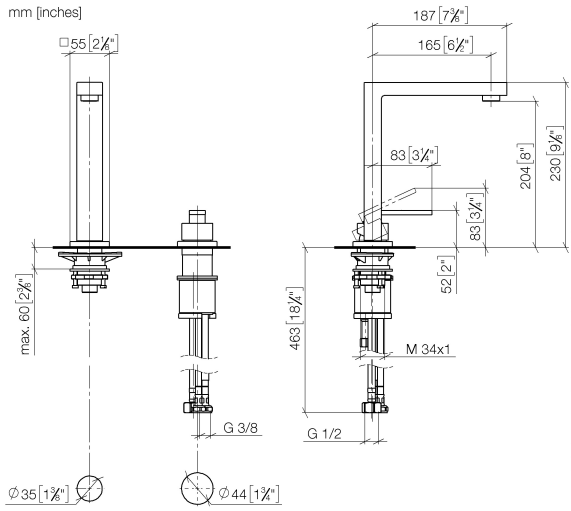


**Recommended miscellaneous**

**Dispenser with rosette - Brushed Platinum** 82 439 970-06



32 805 680



**Flow rate chart**



**Codes & Standards**

DIN 4109

EN 817

Executive Order  
no. 1007

ISO 3822

Scottish Water  
Byelaws

UK Water Supply  
Regulations

Ü-Zeichen

VA-Zeichen



LOT BAR TAP Two-hole mixer with individual rosettes - Brushed Platinum

---

LOT

32 805 680

Certificates

---

LGA\_18

WRAS\_1909

GDV\_0400

ETA\_18

32 805 680

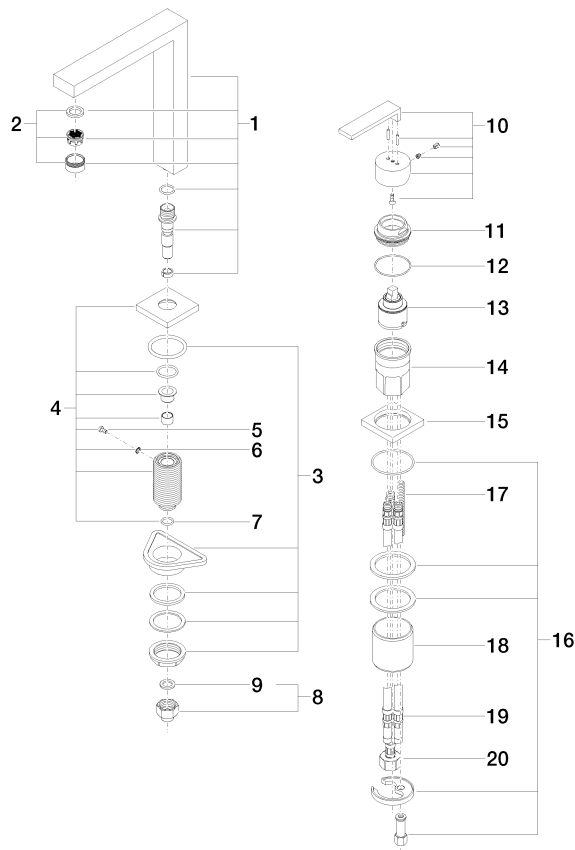
Product version from 5/31/2010 to 3/10/2021

Product version from 3/10/2021 to 5/10/2021

Product version from 5/10/2021

**Product version from 6/1/2022**

Parts for other finishes can be found here: [Chrome](#)





## LOT BAR TAP Two-hole mixer with individual rosettes - Brushed Platinum

---

LOT

32 805 680

### Spare parts list

Product version from 5/31/2010 to 3/10/2021

Product version from 3/10/2021 to 5/10/2021

Product version from 5/10/2021

**Product version from 6/1/2022**