






EDITION PRO Single-lever basin mixer with pop-up waste - Matte Black

33 501 626



- 126mm projection
- fixed spout
- circular, air-enriched flow
- height of mixer 132 mm
- height up to aerator 45 mm
- hole diameter 35 mm
- 2x screw-in M 10 x 1 pressure hose, leak-tested
- max. flow 7 l/min
- lead-free
- WRAS 240502020, 1807097

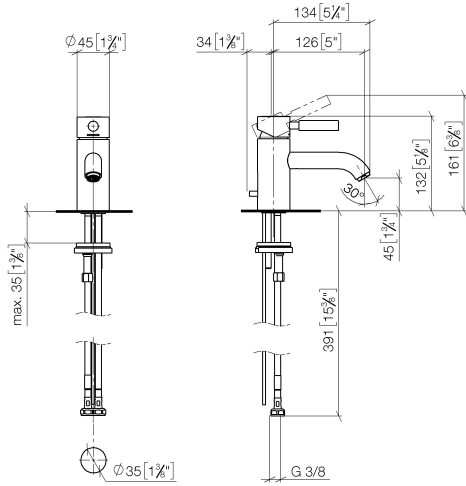
Only suitable for basins with an overflow.

	Matte Black	33 501 626-33
	Chrome	33 501 626-00
	Brushed Chrome	33 501 626-93

EDITION PRO Single-lever basin mixer with pop-up waste - Matte Black

33 501 626

mm [inches]



Flow rate chart



Codes & Standards

DIN 4109

ISO 3822

Scottish Water
Byelaws

UK Water Supply
Regulations

Ü-Zeichen



EDITION PRO Single-lever basin mixer with pop-up waste - Matte Black

33 501 626

Certificates

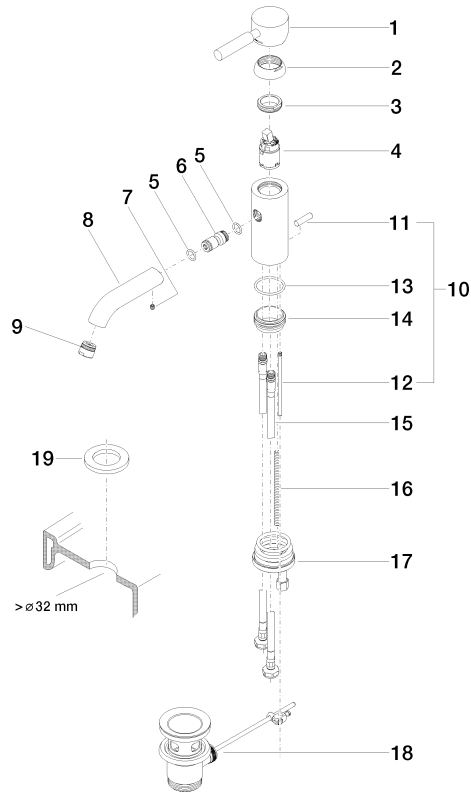
LGA_9

WRAS_240502

EDITION PRO Single-lever basin mixer with pop-up waste - Matte Black

33 501 626

Parts for other finishes can be found here: Chrome





EDITION PRO Single-lever basin mixer with pop-up waste - Matte Black

33 501 626

Spare parts list

No.	Item Number	Name	Quantity used	Delivery time
	90 20 62 046 00-33	handle	20	30