

33 501 660

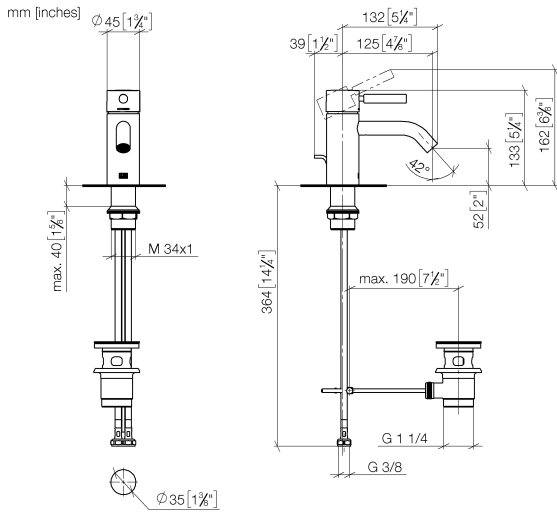


- 125mm projection
- fixed spout
- circular, air-enriched flow
- height of mixer 133 mm
- height up to aerator 52 mm
- hole diameter 35 mm
- 2x screw-in M 8 x 1 pressure hose, leak-tested
- max. flow 5.7 l/min
- lead-free
- This product can help a building meet the requirements of Green Building Rating Systems, e.g. LEED®, BREEAM®, DGNB
- WRAS 2003058

Only suitable for basins with an overflow.

	Dark Chrome	33 501 660-19
	Chrome	33 501 660-00
	Brushed Platinum	33 501 660-06
	Light Gold	33 501 660-26
	Brushed Light Gold	33 501 660-27
	Matte Black	33 501 660-33
	Brushed Bronze	33 501 660-42
	Brushed Champagne (22kt Gold)	33 501 660-46
	Champagne (22kt Gold)	33 501 660-47
	Brushed Chrome	33 501 660-93
	Brushed Dark Platinum	33 501 660-99

33 501 660



Flow rate chart



Codes & Standards

EN 817



META Single-lever basin mixer with pop-up waste - Dark Chrome

META

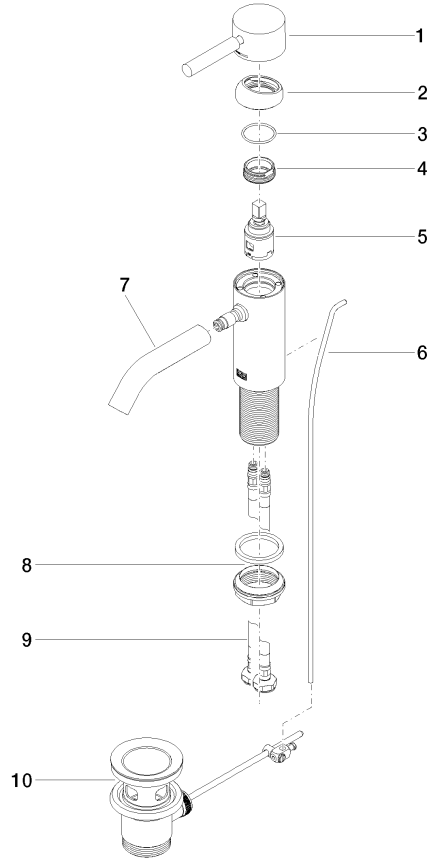
33 501 660

Certificates

DVGW_DW-
6506DN0

33 501 660

Parts for other finishes can be found here: [Chrome](#)





33 501 660

Spare parts list