

33 501 660

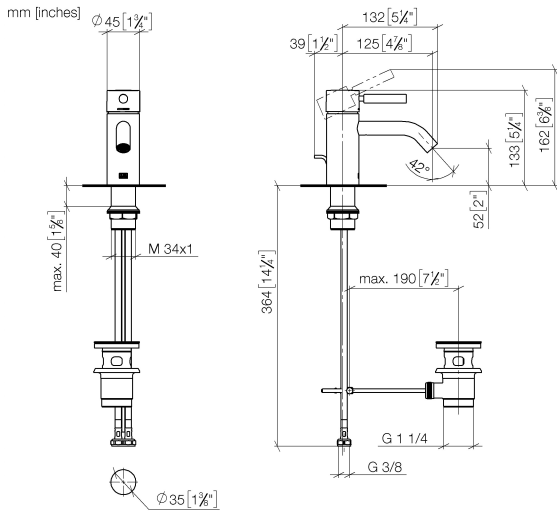


- 125mm projection
- fixed spout
- circular, air-enriched flow
- height of mixer 133 mm
- height up to aerator 52 mm
- hole diameter 35 mm
- 2x screw-in M 8 x 1 pressure hose, leak-tested
- max. flow 5.7 l/min
- lead-free
- This product can help a building meet the requirements of Green Building Rating Systems, e.g. LEED®, BREEAM®, DGNB
- WRAS 2003058

Only suitable for basins with an overflow.

	Brushed Dark Platinum	33 501 660-99
	Chrome	33 501 660-00
	Brushed Platinum	33 501 660-06
	Dark Chrome	33 501 660-19
	Light Gold	33 501 660-26
	Brushed Light Gold	33 501 660-27
	Matte Black	33 501 660-33
	Brushed Bronze	33 501 660-42
	Brushed Champagne (22kt Gold)	33 501 660-46
	Champagne (22kt Gold)	33 501 660-47
	Brushed Chrome	33 501 660-93

33 501 660



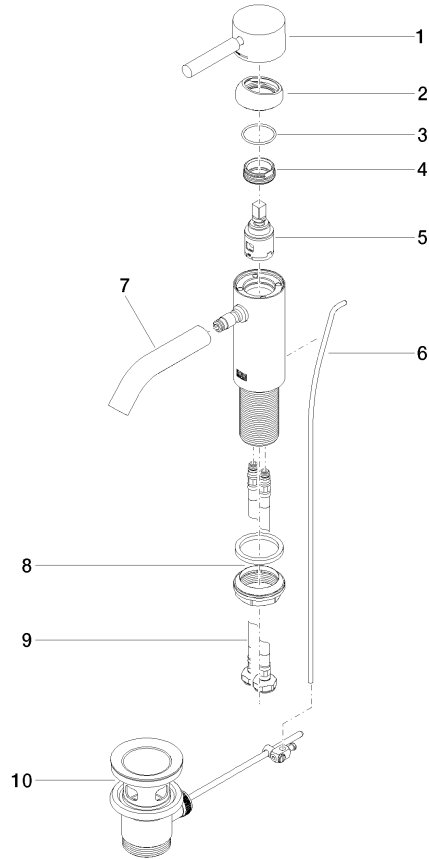
**Flow rate chart**



33 501 660

**Product version from 1/23/2020**

Parts for other finishes can be found here: [Chrome](#)





33 501 660

## **Spare parts list**

**Product version from 1/23/2020**