

33 800 875



- 201mm projection
- pivotable spout 360°
- air-enriched flow
- height of mixer 373 mm
- height up to aerator 240 mm
- hole diameter 35 mm
- max. flow 8 l/min at 3 bar flow pressure
- lead-free
- This product can help a building meet the requirements of Green Building Rating Systems, e.g. LEED®, BREEAM®, DGNB
- WRAS 2101012

	Chrome	33 800 875-00
	Brushed Platinum	33 800 875-06
	Platinum	33 800 875-08
	Durabrand (23kt Gold)	33 800 875-09
	Dark Chrome	33 800 875-19
	Brushed Durabrand (23kt Gold)	33 800 875-28
	Matte Black	33 800 875-33
	Brushed Champagne (22kt Gold)	33 800 875-46
	Champagne (22kt Gold)	33 800 875-47
	Brushed Chrome	33 800 875-93
	Brushed Dark Platinum	33 800 875-99

Recommended miscellaneous

**Strainer waste with control handle - Chrome** 10 712 970-00

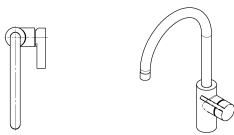
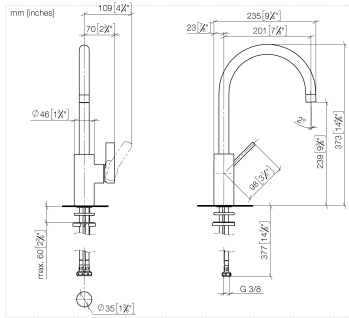


Recommended miscellaneous

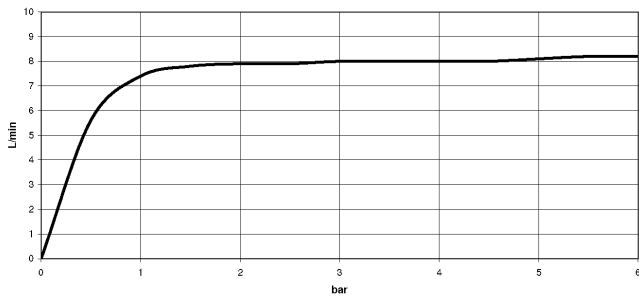
**Dispenser without rosette - Chrome** 82 424 970-00



33 800 875



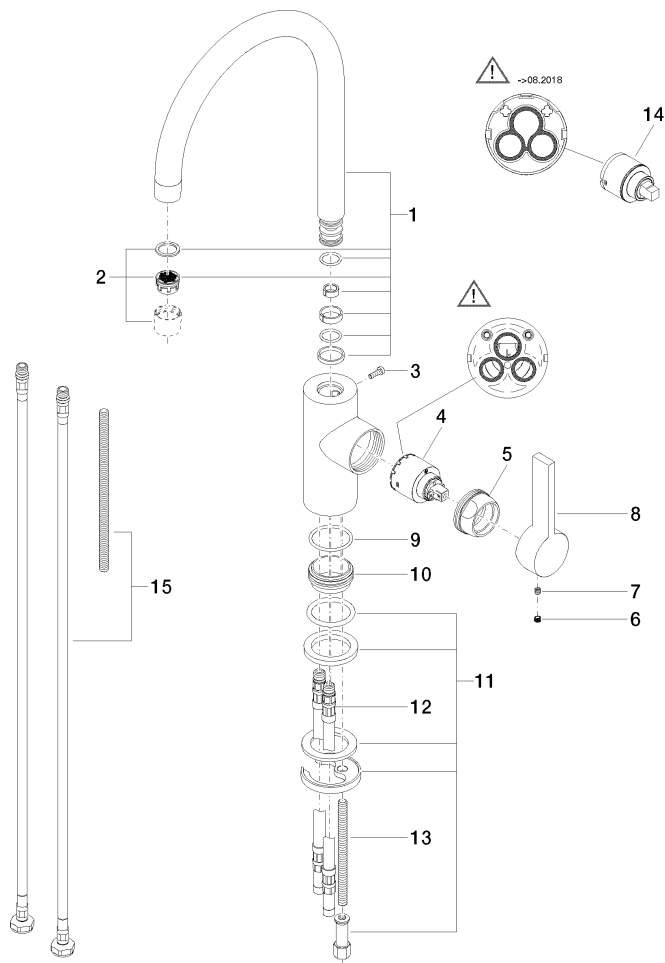
Flow rate chart



Certificates

GDV\_0400195.      LGA\_18899.      WRAS\_2101012.      ETA\_18980.

33 800 875



### Spare parts list

No.	Item Number	Name	Quantity used	Delivery time
1	90 28 22 204 02-00	spout	1	10
2	90 23 01 004 07-00	aerator	1	10
3	09 30 30 080 90	screw	1	2
4	90 15 05 061 00 90	cartridge	1	60
5	09 24 04 107-00	nut	1	10
6	90 31 20 109 00 90	plug	1	2
7	90 31 11 030 00 90	pin	1	2
8	09 20 79 040-00	handle	1	10
9	09 14 10 119 90	seal	1	2
10	09 28 10 109-07	ring	1	30
11	04 30 11 085 88 90	fixing set	1	2
12	04 30 04 016 00 90	hose	2	60
13	09 31 11 012 90	pin	1	2
14	90 15 05 045 00 90	cartridge	1	2
15	12 803 970 90	extension	1	60