

VAIA BAR TAP Single-lever mixer - Brushed Chrome

33 805 809 Product version from 7/1/2023

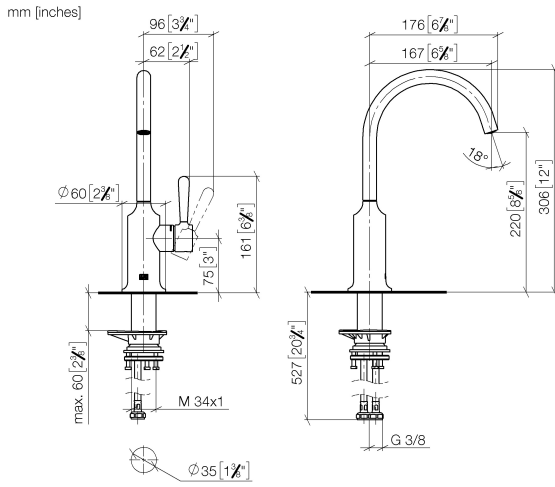


- 167mm projection
- gauge mm
- pivotable spout 360°
- air-enriched flow
- max. flow 7 l/min at 3 bar flow pressure
- lead-free
- This product can help a building meet the requirements of Green Building Rating Systems, e.g. LEED®, BREEAM®, DGNB
- WRAS

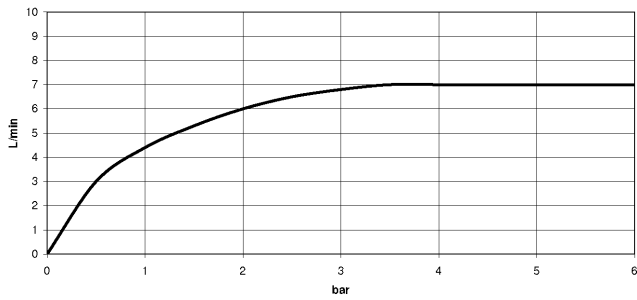
	Brushed Chrome	33 805 809-93
	Chrome	33 805 809-00
	Brushed Platinum	33 805 809-06
	Platinum	33 805 809-08
	Durabronze (23kt Gold)	33 805 809-09
	Dark Chrome	33 805 809-19
	Brushed Durabronze (23kt Gold)	33 805 809-28
	Matte Black	33 805 809-33
	Brushed Bronze	33 805 809-42
	Brushed Champagne (22kt Gold)	33 805 809-46
	Champagne (22kt Gold)	33 805 809-47
	Brushed Dark Platinum	33 805 809-99

VAIA BAR TAP Single-lever mixer - Brushed Chrome

33 805 809 Product version from 7/1/2023



Flow rate chart



Codes & Standards

DIN 4109

ISO 3822

Scottish Water
Byelaws

UK Water Supply
Regulations

Ü-Zeichen



VAIA BAR TAP Single-lever mixer - Brushed Chrome

33 805 809 Product version from 7/1/2023

Certificates

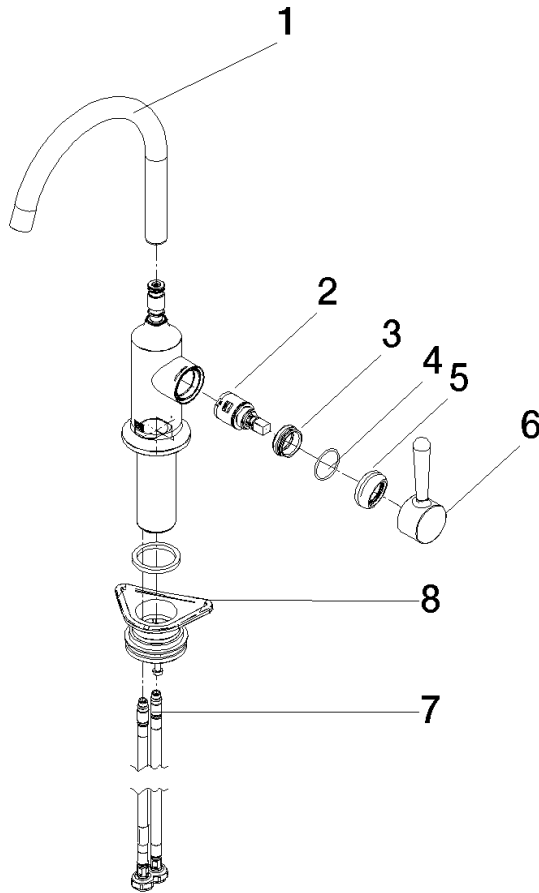
LGA_29

WRAS_240602

VAIA BAR TAP Single-lever mixer - Brushed Chrome

33 805 809 Product version from 7/1/2023

Parts for other finishes can be found here: [Chrome](#)



Spare parts list

No.	Item Number	Name	Quantity used	Delivery time
1	90 28 22 311 02-93	spout	1	-
Spare part can no longer be ordered, please order the replacement item				
2	90 15 05 042 00 90	cartridge	1	2
3	09 24 04 266 90	nut	1	2
4	09 14 10 091 90	seal	1	2
5	90 28 30 052 00-93	cover	1	20
6	90 20 80 050 00-93	handle	1	-
Spare part can no longer be ordered, please order the replacement item				
7	04 30 04 100 00 90	hose	2	2
8	04 23 10 044 08 90	fixing set	1	2