

## TARA Single-lever mixer for rinsing/Profi spray - Champagne (22kt Gold)

33 826 888



- 235mm projection
- pivotable spout 360°
- air-enriched flow
- height of mixer 400 mm
- height up to aerator 230 mm
- single-lever mixer hole diameter 35mm
- max. flow 7 l/min at 3 bar flow pressure
- lead-free
- WRAS 1705020
- This product can help a building meet the requirements of Green Building Rating Systems, e.g. LEED®, BREEAM®, DGNB

Single-lever mixer for combining with rinsing/Profi spray only

|   |                                |               |
|---|--------------------------------|---------------|
|    | Champagne (22kt Gold)          | 33 826 888-47 |
|    | Chrome                         | 33 826 888-00 |
|    | Brushed Platinum               | 33 826 888-06 |
|    | Platinum                       | 33 826 888-08 |
|    | Durabronze (23kt Gold)         | 33 826 888-09 |
|    | Dark Chrome                    | 33 826 888-19 |
|    | Brushed Durabronze (23kt Gold) | 33 826 888-28 |
|    | Matte Black                    | 33 826 888-33 |
|    | Brushed Champagne (22kt Gold)  | 33 826 888-46 |
|   | Brushed Chrome                 | 33 826 888-93 |
|  | Brushed Dark Platinum          | 33 826 888-99 |

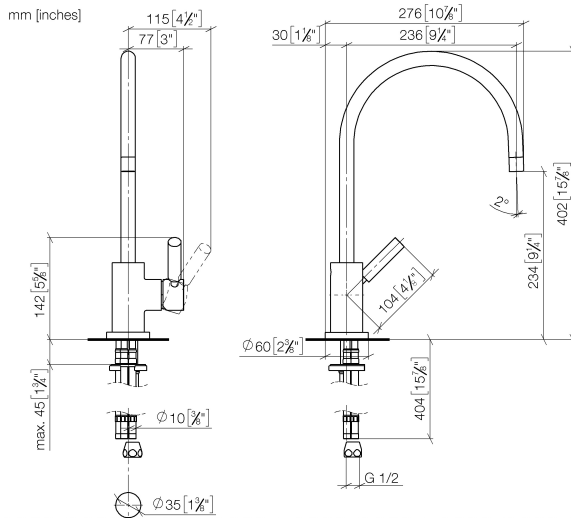
### Recommended miscellaneous



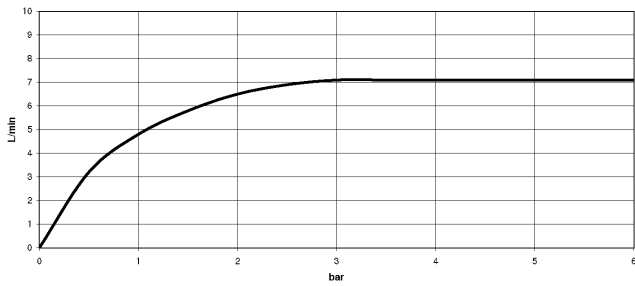
**Rinsing spray set - Champagne (22kt Gold)** 27 721 970-47

**TARA Single-lever mixer for rinsing/Profi spray - Champagne (22kt Gold)**

33 826 888



**Flow rate chart**



**Certificates**

LGA\_18901.

WRAS\_2311044.

**TARA Single-lever mixer for rinsing/Profi spray - Champagne (22kt Gold)**

33 826 888

Parts for other  
finishes can be found  
here: [Chrome](#)

