

TARA Single-lever mixer Pull-down with spray function - Brushed Bronze

33 870 888 Product version from 2/1/2023



- 240mm projection
- pivotable spout 360°
- Optional swivel limiter available with swivel limiter set 12 823 970 90
- laminar and spray flow
- 1800 mm metal shower hose
- sprayface with anti-scaling system
- max. flow 10.4 l/min at 3 bar flow pressure
- lead-free
- Flow modes can be changed while the water is running
- This product can help a building meet the requirements of Green Building Rating Systems, e.g. LEED®, BREEAM®, DGNB

Intrinsic protection against back flow.

| | | |
|---|--------------------------------|---------------|
|  | Brushed Bronze | 33 870 888-42 |
|  | Chrome | 33 870 888-00 |
|  | Brushed Platinum | 33 870 888-06 |
|  | Platinum | 33 870 888-08 |
|  | Durabronze (23kt Gold) | 33 870 888-09 |
|  | Dark Chrome | 33 870 888-19 |
|  | Brushed Durabronze (23kt Gold) | 33 870 888-28 |
|  | Matte Black | 33 870 888-33 |
|  | Brushed Champagne (22kt Gold) | 33 870 888-46 |
|  | Champagne (22kt Gold) | 33 870 888-47 |
|  | Brushed Chrome | 33 870 888-93 |
|  | Brushed Dark Platinum | 33 870 888-99 |

Recommended miscellaneous

Swivel limitation set -

12 823 970 90



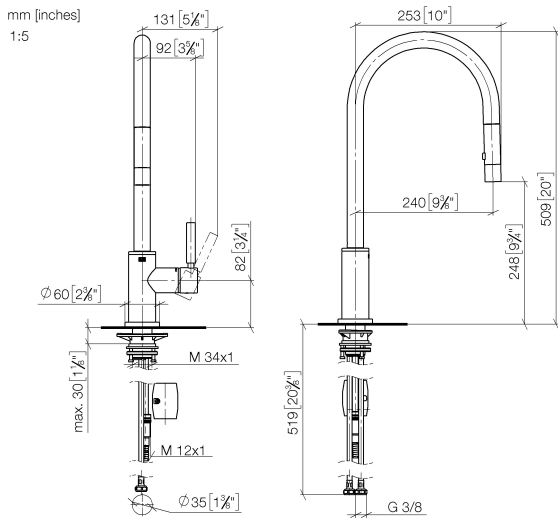
Recommended miscellaneous

Strainer waste with control handle - Brushed Bronze 10 710 970-42

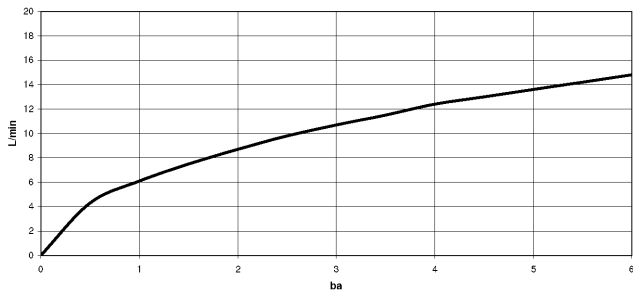


TARA Single-lever mixer Pull-down with spray function - Brushed Bronze

33 870 888 Product version from 2/1/2023



Flow rate chart



Codes & Standards

DIN 4109

EN 1717

ISO 3822

Ü-Zeichen



TARA Single-lever mixer Pull-down with spray function - Brushed Bronze

33 870 888 Product version from 2/1/2023

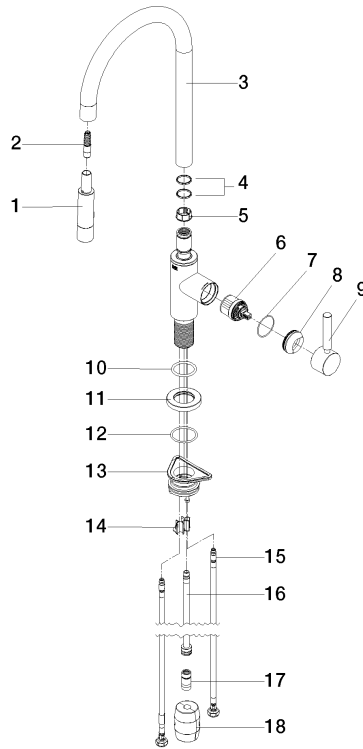
Certificates

LGA_38

Belgaqua_24-005-2

TARA Single-lever mixer Pull-down with spray function - Brushed Bronze

33 870 888 Product version from 2/1/2023



Spare parts list

| No. | Item Number | Name | Quantity used | Delivery time |
|-----|--------------------|-------------|---------------|---------------|
| 1 | 90 12 11 148 00-42 | shower | 1 | 60 |
| 2 | 04 30 02 120 00-85 | hose | 1 | 10 |
| 3 | 90 28 22 304 00-42 | spout | 1 | 30 |
| 4 | 09 28 10 160 90 | ring | 2 | 2 |
| 5 | 09 18 40 186 90 | sleeve | 1 | 2 |
| 6 | 90 15 05 064 05 90 | cartridge | 1 | 2 |
| 7 | 09 14 10 190 90 | seal | 1 | 2 |
| 8 | 09 28 30 030-42 | cover | 1 | 60 |
| 9 | 90 20 66 027 00-42 | handle | 1 | 30 |
| 10 | 09 14 10 036 90 | seal | 1 | 2 |
| 11 | 90 27 22 047 00-42 | rosette | 1 | 30 |
| 12 | 09 14 10 050 90 | seal | 1 | 2 |
| 13 | 04 30 11 040 00 90 | fixing set | 1 | 2 |
| 14 | 09 20 93 056 90 | insert | 1 | 2 |
| 15 | 04 30 04 101 00 90 | hose | 2 | 2 |
| 16 | 04 28 20 067 00 90 | pipe | 1 | 2 |
| 17 | 90 24 03 253 00 90 | adaptor | 1 | 2 |
| 18 | 04 21 50 010 00 90 | accessories | 1 | 2 |