



Concealed thermostat -

35 425 970 90



- lead-free, dezincification resistant
- 2x back flow preventer
- 2x female thread 1/2" connections
- 3x outlet G 1/2"
- dust cover
- anti-water packing
- sound and thermal insulation
- suitable for xGRID (when using installation track + 12 mm recess depth)
- gauge 70 mm
- WRAS 1906098

Recommended miscellaneous



**xGRID Attachment set for
integrating in the dry wall
construction -**

12 340 970 90

Required miscellaneous



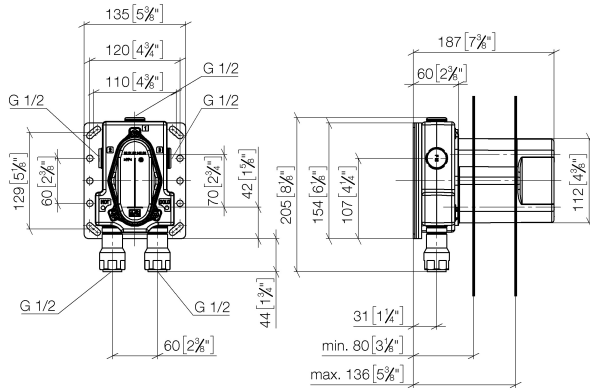
xGRID Installation track 555 mm - 12 360 970 90



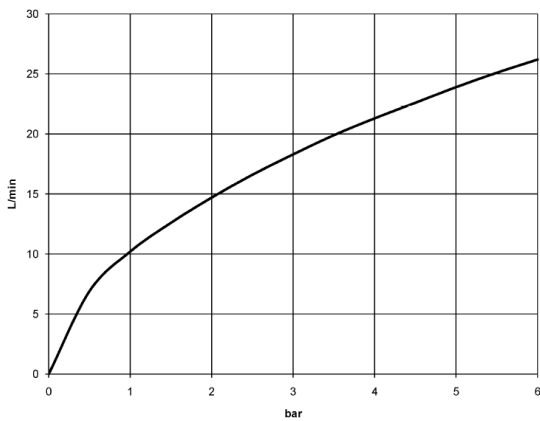
Concealed thermostat -

35 425 970 90

mm [inches]



Flow rate chart



Codes & Standards

EN 1111

EN 1717

Scottish Water
Byelaws

UK Water Supply
Regulations

VA-Zeichen



Concealed thermostat -

35 425 970 90

Certificates

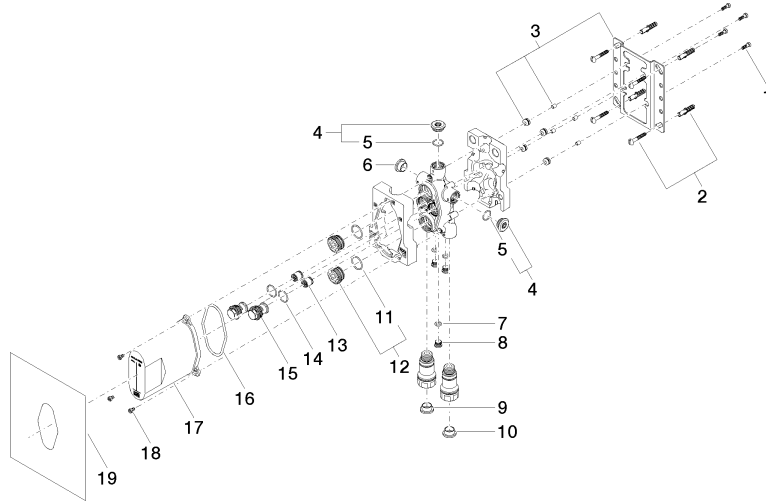
WRAS_1906

DVGW_DW-
6512DN0

Belgaqua_21-031-2 ETA_20

Concealed thermostat -

35 425 970 90





Concealed thermostat -

35 425 970 90

Spare parts list

No.	Item Number	Name	Quantity used	Delivery time
	09 30 30 171 90	screw	35	2