

Concealed single-lever mixer with integrated shower connection with shower set without hand shower - Matte Black

TARA

36 013 660



Fits: TARA, META

- cover plate Ø 78 mm
- metal shower hose 1750mm with integrated anti-twist protection
- slide bar
- WRAS 2011027

**This article does not include a hand shower!**  
**Intrinsic protection against back flow.**

**Article cannot be extended, please check the depth of the installation location!**

This article does not include a hand shower!

Intrinsic protection against back flow.

Article cannot be extended, please check the depth of the installation location!


	Matte Black	36 013 660-33
	Chrome	36 013 660-00
	Brushed Platinum	36 013 660-06
	Platinum	36 013 660-08
	Dark Chrome	36 013 660-19
	Brushed Light Gold	36 013 660-27
	Brushed Durabronze (23kt Gold)	36 013 660-28
	Brushed Champagne (22kt Gold)	36 013 660-46
	Champagne (22kt Gold)	36 013 660-47
	Brushed Chrome	36 013 660-93
	Brushed Dark Platinum	36 013 660-99

**Concealed single-lever mixer with integrated shower connection with shower set without hand shower - Matte Black**

TARA

36 013 660


**Required miscellaneous**

	<b>Concealed wall mounting -</b> •min. recess depth 78 mm •max. recess depth 103 mm	35 003 970 90
---	---	---------------

**Required miscellaneous**

	<b>Hand shower - Matte Black</b>	28 012 979-33
---	----------------------------------	---------------

**Required miscellaneous**

	<b>Hand shower FlowReduce - Matte Black</b>	28 016 979-33 0010
---	---	-----------------------

**Required miscellaneous**

	<b>Hand shower - Matte Black</b>	28 018 979-33
---	----------------------------------	---------------

**Required miscellaneous**

	<b>SERIES-VARIOUS Hand shower - Matte Black</b>	28 029 979-33 0010
---	---	-----------------------


**Required miscellaneous**

	<b>SERIES-VARIOUS Hand shower - Matte Black</b>	28 029 979-33
---	---	---------------

**Required miscellaneous**

	<b>Hand shower - Matte Black</b>	28 016 979-33
---	----------------------------------	---------------


**Required miscellaneous**

	<b>Hand shower FlowReduce - Matte Black</b>	28 012 979-33 0010
---	---	-----------------------

**Required miscellaneous**

	<b>Hand shower - Matte Black</b>	28 017 979-33
---	----------------------------------	---------------

**Required miscellaneous**

	<b>Hand shower FlowReduce - Matte Black</b>	28 018 979-33 0010
---	---	-----------------------

**Required miscellaneous**

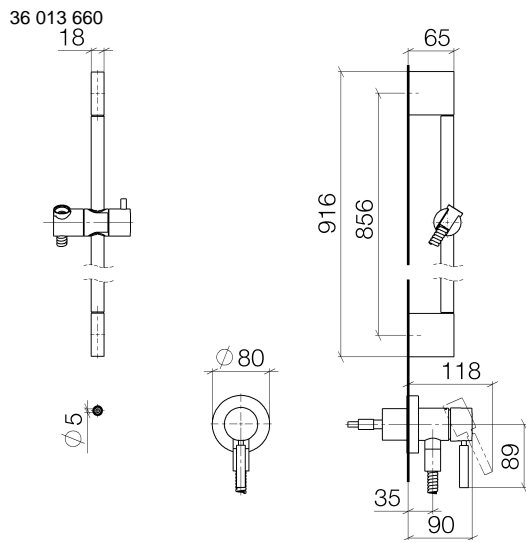
	<b>SERIES-VARIOUS Hand shower - Matte Black</b>	28 027 979-33 0010
---	---	-----------------------

**Required miscellaneous**

	<b>SERIES-VARIOUS Hand shower - Matte Black</b>	28 025 979-33 0010
---	---	-----------------------

Concealed single-lever mixer with integrated shower connection with shower set without hand shower - Matte Black

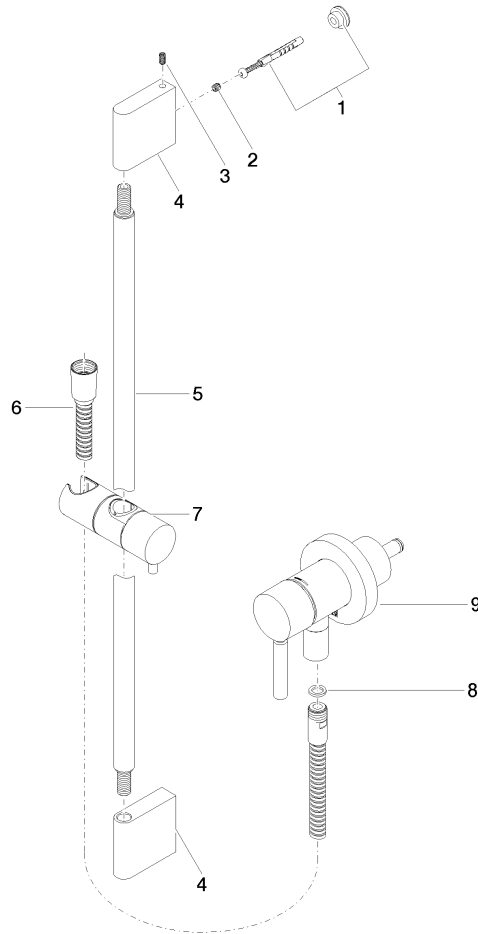
TARA



Certificates

Belgaqua\_21-025- WRAS\_2011027. LGA\_29569.  
27\_1.

36 013 660



### Spare parts list

No.	Item Number	Name	Quantity used	Delivery time
1	05 17 20 726 02 90	fixing set	1	2
2	09 31 11 049 90	pin	2	2
3	04 31 11 113 00 90	pin	2	2
4	08 17 97 054-33	holder	2	30
5	90 28 22 597 00-33	holder	1	30
6	28 322 970-33	Metal shower hose 1/2" x 3/8" x 1750 mm - Matte Black	1	2
7	12 580 970-33	Slide unit - Matte Black	1	10
8	90 14 20 026 00 90	seal	1	2
9	36 045 660-33	Concealed single-lever mixer with cover plate with integrated shower connection - Matte Black	1	10