



LULU xTOOL Concealed thermostat without volume control 1/2" - Brushed Platinum

LULU

36 501 710 Product version from 1/1/2022



- cover plate 120 x 120 mm
- temperature control handle with safety limit stop at 38°C
- thermostat cartridge
- WRAS

	Brushed Platinum	36 501 710-06
	Chrome	36 501 710-00

Required miscellaneous



xTOOL Concealed thermostat module without volume control - 35 503 970 90
 •min. recess depth mm
 •max. recess depth mm

Recommended miscellaneous



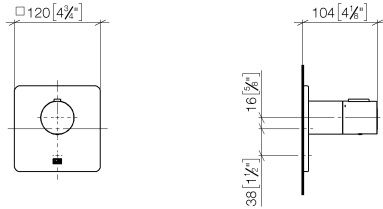
xGRID Attachment set for integrating in the dry wall construction - 12 340 970 90

Required miscellaneous

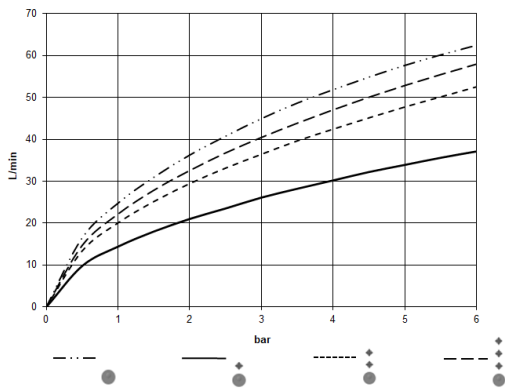


xGRID Installation track 555 mm - 12 360 970 90

36 501 710 Product version from 1/1/2022
mm [inches]



Flow rate chart



Codes & Standards

DIN 4109

EN 1111

ISO 3822

Scottish Water
Byelaws

UK Water Supply
Regulations

Ü-Zeichen



LULU xTOOL Concealed thermostat without volume control 1/2" - Brushed
Platinum

LULU

36 501 710 Product version from 1/1/2022

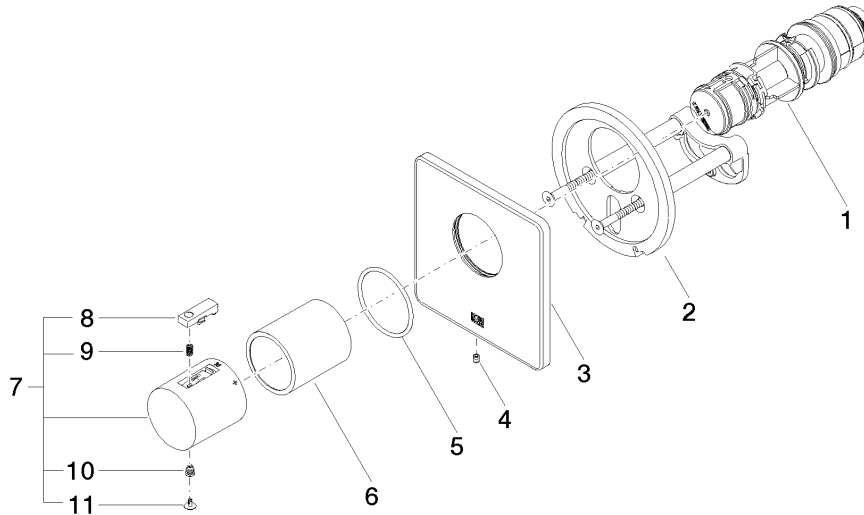
Certificates

WRAS_2011

DVGW_DW-
6512DN0

LGA_29

LGA_29



Spare parts list

No.	Item Number	Name	Quantity used	Delivery time
1	90 15 02 065 00 90	cartridge	1	2
2	90 11 01 196 00 90	base	1	2
3	09 11 02 541-06	cover	1	10
4	09 31 11 044 90	pin	1	2
5	90 14 10 049 00 90	seal	1	2
6	90 21 02 112 00-06	sleeve	1	10
7	90 17 33 004 00-06	handle	1	10
8	90 21 33 011 00-13	handle	1	2
9	90 16 02 027 00 90	spring	1	2
10	90 30 30 136 00 90	screw	1	2
11	90 31 20 049 00-13	plug	1	30