

## WATER FAN vertical Concealed body spray - Platinum

36 513 979 Product version from 4/1/2024



- AQUAPRESSURE FLOW, max. flow rate 10 l/min (at 3 bar)
- water jet adjustable
- cover plate 240 x 60 mm
- 1/2" connection
- WRAS

	Platinum	36 513 979-08
	Chrome	36 513 979-00
	Brushed Platinum	36 513 979-06
	Dark Chrome	36 513 979-19
	Light Gold	36 513 979-26
	Brushed Light Gold	36 513 979-27
	Brushed Durabronze (23kt Gold)	36 513 979-28
	Matte Black	36 513 979-33
	Brushed Bronze	36 513 979-42
	Brushed Champagne (22kt Gold)	36 513 979-46
	Champagne (22kt Gold)	36 513 979-47
	Brushed Chrome	36 513 979-93
	Brushed Dark Platinum	36 513 979-99

### Required miscellaneous



- Concealed wall installation box -** 35 206 970 90
- min. recess depth mm
  - max. recess depth mm

### Recommended miscellaneous



- xGRID Attachment set for integrating in the dry wall construction -** 12 340 970 90

### Required miscellaneous

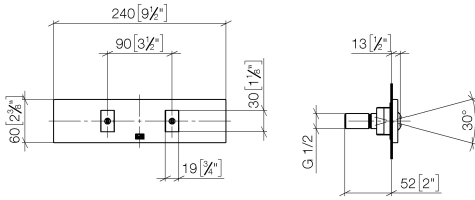


- xGRID Installation track 555 mm -** 12 360 970 90

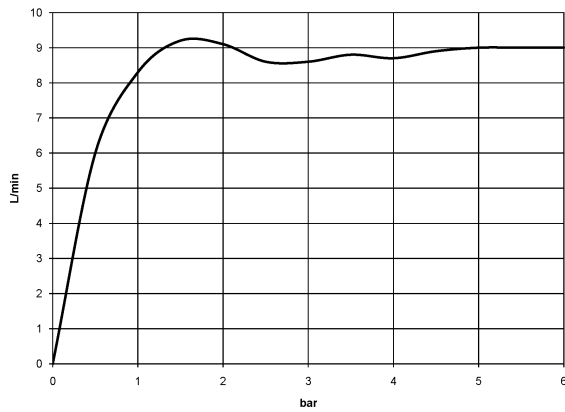
**WATER FAN vertical Concealed body spray - Platinum**

36 513 979 Product version from 4/1/2024

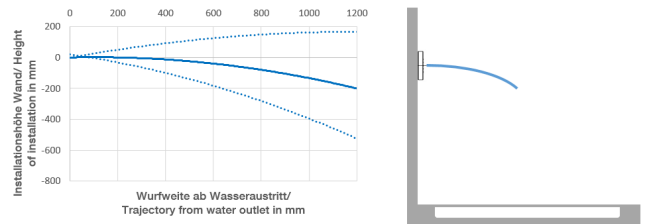
mm [inches]



**Flow rate chart**



**Trajectory diagram**



**Codes & Standards**

DIN 4109

ISO 3822

Scottish Water  
Byelaws

UK Water Supply  
Regulations

**Ü-Zeichen**



## WATER FAN vertical Concealed body spray - Platinum

---

36 513 979 Product version from 4/1/2024

### Certificates

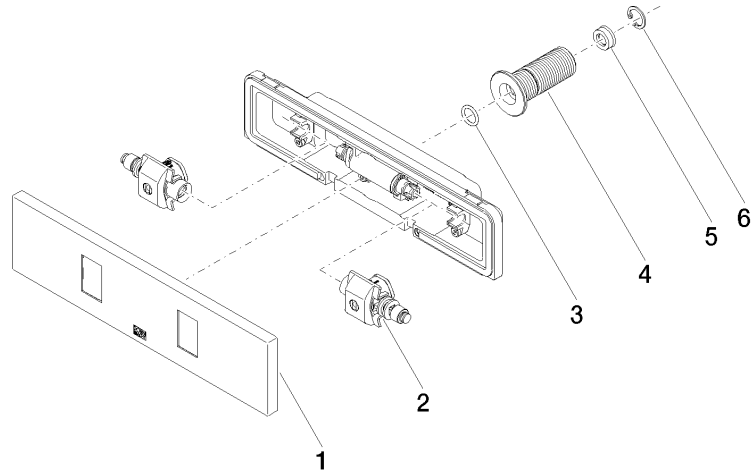
---

LGA\_29

WRAS\_2005

**WATER FAN vertical Concealed body spray - Platinum**

36 513 979 Product version from 4/1/2024



**Spare parts list**

No.	Item Number	Name	Quantity used	Delivery time
1	90 27 99 002 00-08	insert	1	40
2	90 31 10 013 00 90	insert	1	2
3	09 14 10 003 90	seal	1	2
4	09 24 05 015 90	nipple	1	2
5	09 23 01 134 90	flow reducer	1	2
6	09 16 01 014 90	ring	1	2