

VAIA Wall valve clockwise closing 1/2" - Platinum

36 607 809

- rosette Ø 60 mm
- head part with cut-to-length spindle and sleeve
- WRAS



	Platinum	36 607 809-08
	Chrome	36 607 809-00
	Brushed Platinum	36 607 809-06
	Dark Chrome	36 607 809-19
	Brushed Durabronze (23kt Gold)	36 607 809-28
	Brushed Bronze	36 607 809-42
	Brushed Champagne (22kt Gold)	36 607 809-46
	Champagne (22kt Gold)	36 607 809-47
	Brushed Dark Platinum	36 607 809-99

Required miscellaneous



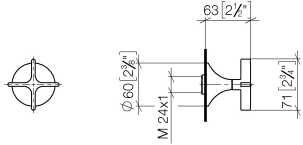
- Wall valve 1/2" -**
- min. recess depth mm
 - max. recess depth mm

35 607 970 90

VAIA Wall valve clockwise closing 1/2" - Platinum

36 607 809

mm [inches]



Codes & Standards

ASME A112.18.1	cUPC	DIN 4109	EN 1111
EN 200	ISO 3822	Scottish Water Byelaws	UK Water Supply Regulations

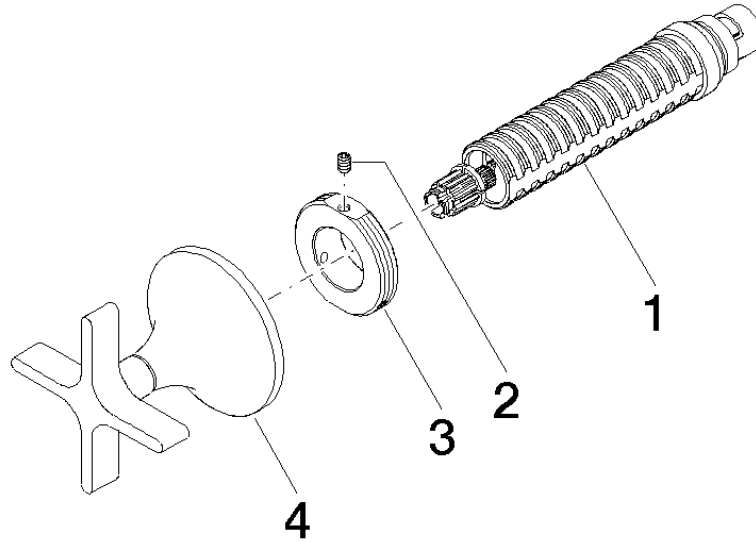
Ü-Zeichen

Certificates

DVGW_DW-6501DNO	WRAS_2011	LGA_29	WRAS_2010	DVGW_DW-6512DNO
LGA_29	IAPMO_4976 (

VAIA Wall valve clockwise closing 1/2" - Platinum

36 607 809



Spare parts list

No.	Item Number	Name	Quantity used	Delivery time
1	90 90 03 143 00 90	top	1	2
2	09 31 11 008 90	pin	1	2
3	09 21 02 163 90	disc	1	2
4	90 20 80 014 00-08	handle	1	-

Spare part can no longer be ordered, please order the replacement item