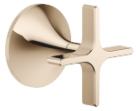


VAIA Wall valve clockwise closing 1/2" - Champagne (22kt Gold)

36 607 809



- rosette Ø 60 mm
- head part with cut-to-length spindle and sleeve
- WRAS

	Champagne (22kt Gold)	36 607 809-47
	Chrome	36 607 809-00
	Brushed Platinum	36 607 809-06
	Platinum	36 607 809-08
	Dark Chrome	36 607 809-19
	Brushed Durabronze (23kt Gold)	36 607 809-28
	Brushed Bronze	36 607 809-42
	Brushed Champagne (22kt Gold)	36 607 809-46
	Brushed Dark Platinum	36 607 809-99

Required miscellaneous



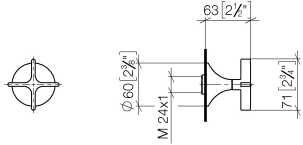
- Wall valve 1/2" -** 35 607 970 90
- min. recess depth mm
 - max. recess depth mm



VAIA Wall valve clockwise closing 1/2" - Champagne (22kt Gold)

36 607 809

mm [inches]



Codes & Standards

DIN 4109

EN 1111

EN 200

ISO 3822

Scottish Water
Byelaws

UK Water Supply
Regulations

Ü-Zeichen

Certificates

DVGW_DW-
6501DNO

WRAS_2011

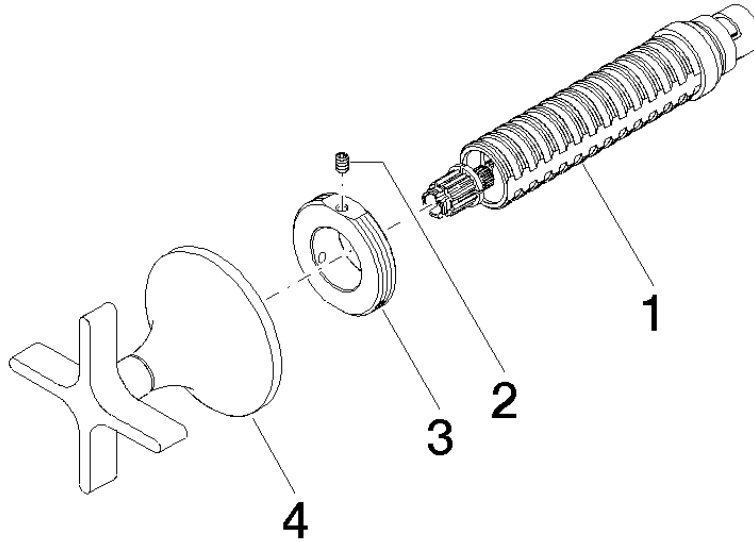
LGA_29

WRAS_2010

DVGW_DW-
6512DNO

VAIA Wall valve clockwise closing 1/2" - Champagne (22kt Gold)

36 607 809



Spare parts list

No.	Item Number	Name	Quantity used	Delivery time
1	90 90 03 143 00 90	top	1	2
2	09 31 11 008 90	pin	1	2
3	09 21 02 163 90	disc	1	2
4	90 20 80 014 00-47	handle	1	30