

## META Wall-mounted single-lever basin mixer without pop-up waste - Matte Black

36 805 661 Product version from 4/1/2024



- 160mm projection
- fixed spout
- circular, air-enriched flow
- hole diameter 60 mm
- rosette Ø 78 mm
- max. spout flow rate 5.7 l/min
- with single-point mounting

|   |                               |               |
|---|-------------------------------|---------------|
|    | Matte Black                   | 36 805 661-33 |
|    | Chrome                        | 36 805 661-00 |
|    | Brushed Platinum              | 36 805 661-06 |
|    | Dark Chrome                   | 36 805 661-19 |
|    | Light Gold                    | 36 805 661-26 |
|    | Brushed Light Gold            | 36 805 661-27 |
|    | Brushed Bronze                | 36 805 661-42 |
|    | Brushed Champagne (22kt Gold) | 36 805 661-46 |
|    | Champagne (22kt Gold)         | 36 805 661-47 |
|   | Brushed Chrome                | 36 805 661-93 |
|  | Brushed Dark Platinum         | 36 805 661-99 |

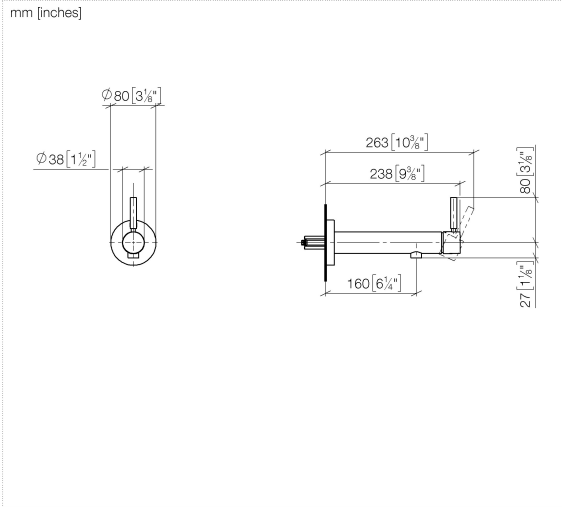
### Required miscellaneous



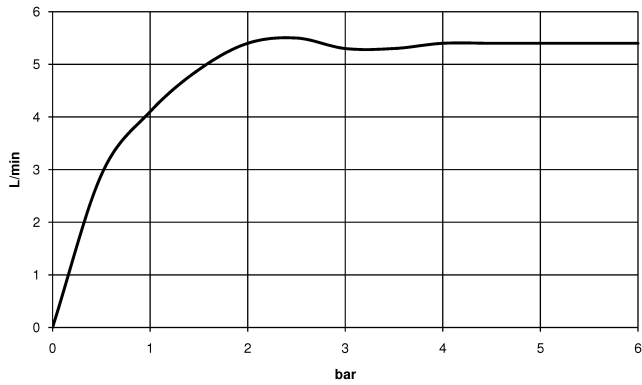
- Concealed wall mounting -** 35 050 970 90
- min. recess depth mm
  - max. recess depth mm

**META Wall-mounted single-lever basin mixer without pop-up waste - Matte Black**

36 805 661 Product version from 4/1/2024



**Flow rate chart**



**Codes & Standards**

DIN 4109

ISO 3822

Ü-Zeichen



## META Wall-mounted single-lever basin mixer without pop-up waste - Matte Black

---

36 805 661 Product version from 4/1/2024

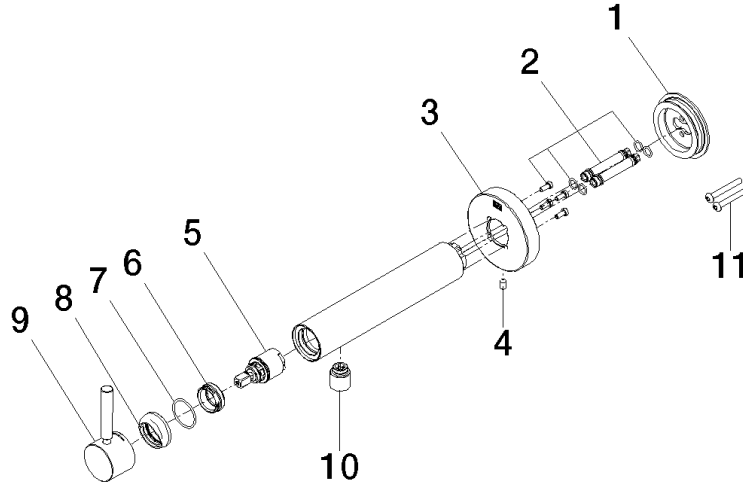
Certificates

---

LGA\_38

**META Wall-mounted single-lever basin mixer without pop-up waste - Matte Black**

36 805 661 Product version from 4/1/2024



**Spare parts list**

| No. | Item Number        | Name       | Quantity used | Delivery time |
|-----|--------------------|------------|---------------|---------------|
| 1   | 90 30 11 232 00 90 | disc       | 1             | 2             |
| 2   | 90 24 01 046 01 90 | connection | 2             | 2             |
| 3   | 90 27 66 026 00-33 | rosette    | 1             | 30            |
| 4   | 09 31 11 144 90    | pin        | 1             | 2             |
| 5   | 90 15 05 044 00 90 | cartridge  | 1             | 2             |
| 6   | 09 24 04 266 90    | nut        | 1             | 2             |
| 7   | 09 14 10 120 90    | seal       | 1             | 2             |
| 8   | 09 28 30 043-33    | cover      | 1             | 30            |
| 9   | 90 20 66 024 00-33 | handle     | 1             | 30            |
| 10  | 90 23 01 168 00-33 | aerator    | 1             | 30            |
| 11  | 90 30 30 229 00 90 | screw      | 2             | 2             |