

36 860 809



- 190mm projection
- fixed spout
- circular, air-enriched flow
- hole diameter spout 37 mm
- hole diameter single-lever mixer 57 mm
- rosette for single-lever mixer Ø 78mm
- rosette for spout Ø 60mm
- max. flow 5.7 l/min
- lead-free
- This product can help a building meet the requirements of Green Building Rating Systems, e.g. LEED®, BREEAM®, DGNB
- WRAS 2107018

	Platinum	36 860 809-08
	Chrome	36 860 809-00
	Brushed Platinum	36 860 809-06
	Dark Chrome	36 860 809-19
	Brushed Durabronze (23kt Gold)	36 860 809-28
	Brushed Bronze	36 860 809-42
	Brushed Champagne (22kt Gold)	36 860 809-46
	Champagne (22kt Gold)	36 860 809-47
	Brushed Dark Platinum	36 860 809-99

Required miscellaneous



Concealed wall-mounted single-lever mixer on right - 35 816 970 90
 •NOTE:Not suitable for concealed installation.Connection by means of angle valves, mounted with screws to back wall.

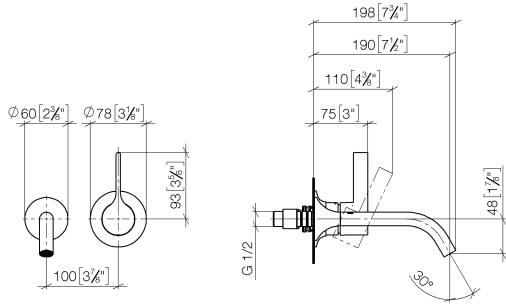
Required miscellaneous



Concealed wall-mounted single-lever mixer - 35 860 970 90
 •max. recess depth 95 mm
 •min. recess depth 80 mm
 •mixer can be placed above, to the left or to the right of the spout.

36 860 809

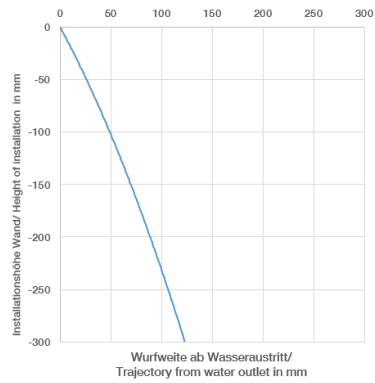
mm [inches]



Flow rate chart



Trajectory diagram



Codes & Standards

DIN 4109

EN 817

ISO 3822

Scottish Water
Byelaws

UK Water Supply
Regulations

Ü-Zeichen



VAIA Wall-mounted single-lever basin mixer without pop-up waste - Platinum

VAIA

36 860 809

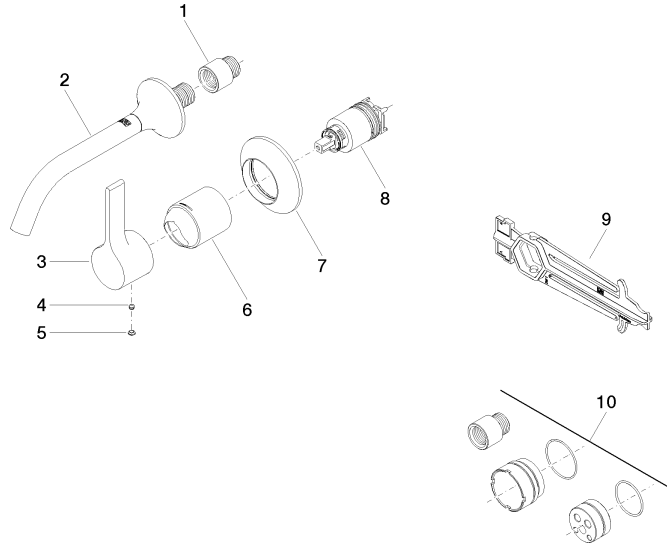
Certificates

WRAS_2107

LGA_29

DVGW_DW-
6512DN0

36 860 809





VAIA Wall-mounted single-lever basin mixer without pop-up waste - Platinum

VAIA

36 860 809

Spare parts list

No.	Item Number	Name	Quantity used	Delivery time
	09 24 03 072 10 90	nipple	10	2