


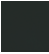


DORNBACHT YAMOU Wall-mounted single-lever basin mixer without pop-up waste - Chrome

36 860 831



- 170mm projection
- fixed spout
- circular, air-enriched flow
- hole diameter spout 37 mm
- hole diameter single-lever mixer 57 mm
- rosette for spout Ø 60mm
- max. flow 6.8 l/min
- rosette for mixer Ø 78mm
- WRAS 240504010

	Chrome	36 860 831-00
	Soft Black	36 860 831-69

Required miscellaneous

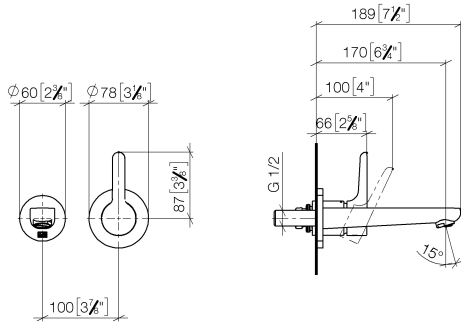


EDITION PRO Concealed wall-mounted single-lever mixer mixer on right - 35 870 970 90

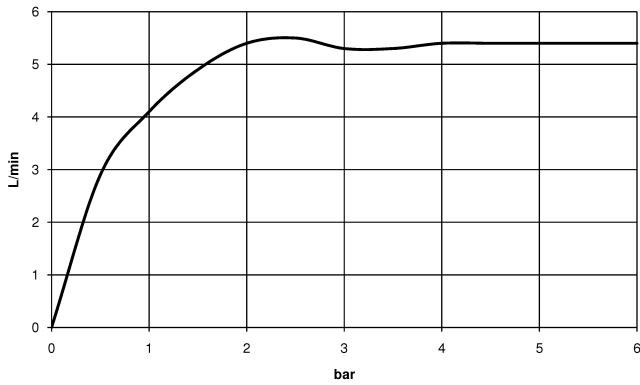


DORNBRACHT YAMOU Wall-mounted single-lever basin mixer without pop-up waste - Chrome

36 860 831
mm [inches]



Flow rate chart



Codes & Standards

DIN 4109

ISO 3822

Scottish Water
Byelaws

UK Water Supply
Regulations

Ü-Zeichen

XP P 41-280



DORNBACHT YAMOU Wall-mounted single-lever basin mixer without pop-up waste - Chrome

36 860 831

Certificates

AbP_10

ACS_23 ACC NY

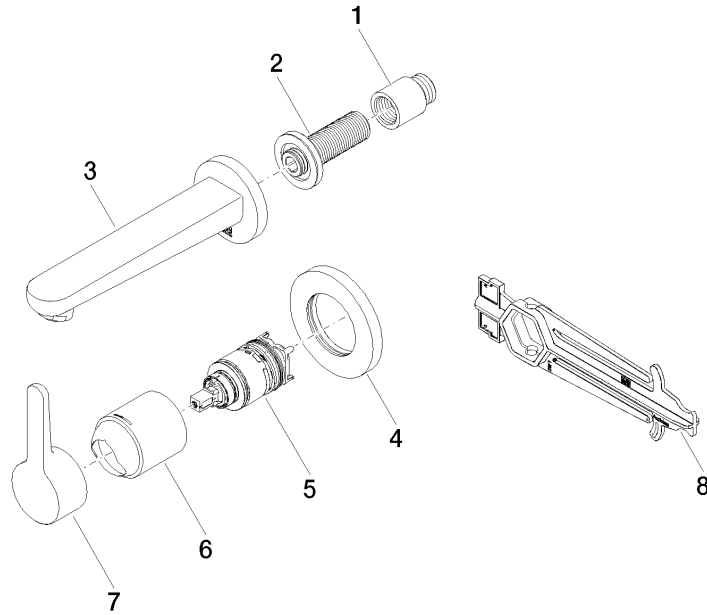
WRAS_240504



DORNBACHT YAMOU Wall-mounted single-lever basin mixer without pop-up waste - Chrome

36 860 831

Product version from 1/1/2023





DORNBACHT YAMOU Wall-mounted single-lever basin mixer without pop-up waste - Chrome

36 860 831

Spare parts list

Product version from 1/1/2023

No.	Item Number	Name	Quantity used	Delivery time
	09 24 03 080 90	extension	8	2