






EDITION PRO Bath grip - Matte Black

83 020 626



- gauge 200 mm
- width 241mm
- height 41 mm
- rosette Ø 41 mm
- 75mm projection

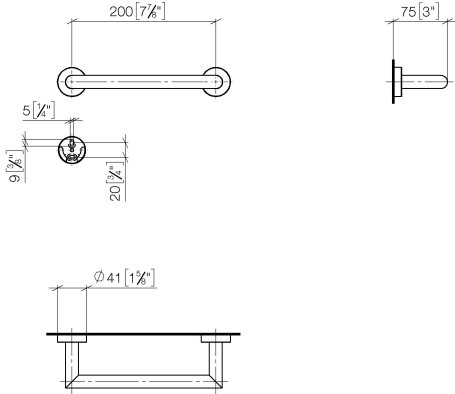
	Matte Black	83 020 626-33
	Chrome	83 020 626-00
	Brushed Chrome	83 020 626-93



EDITION PRO Bath grip - Matte Black

83 020 626

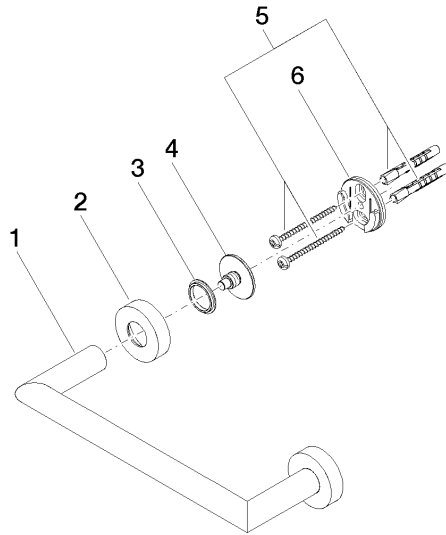
mm [inches]



EDITION PRO Bath grip - Matte Black

83 020 626

Parts for other
finishes can be found
here: [Chrome](#)





EDITION PRO Bath grip - Matte Black

83 020 626

Spare parts list

No.	Item Number	Name	Quantity used	Delivery time
	05 28 22 545 00-33	holder	10	30