






## EDITION PRO Bath grip - Brushed Chrome

---

83 020 626



- gauge 200 mm
- width 241mm
- height 41 mm
- rosette Ø 41 mm
- 75mm projection

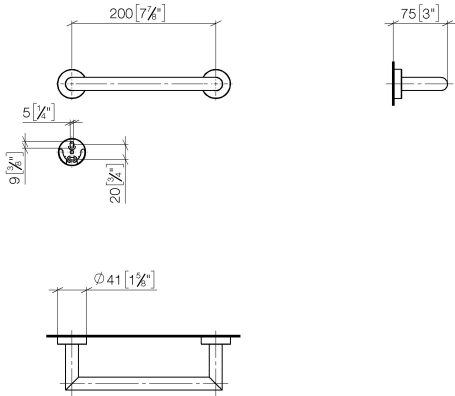
|  |                |               |
|--|----------------|---------------|
|  | Brushed Chrome | 83 020 626-93 |
|  | Chrome         | 83 020 626-00 |
|  | Matte Black    | 83 020 626-33 |



# EDITION PRO Bath grip - Brushed Chrome

83 020 626

mm [inches]

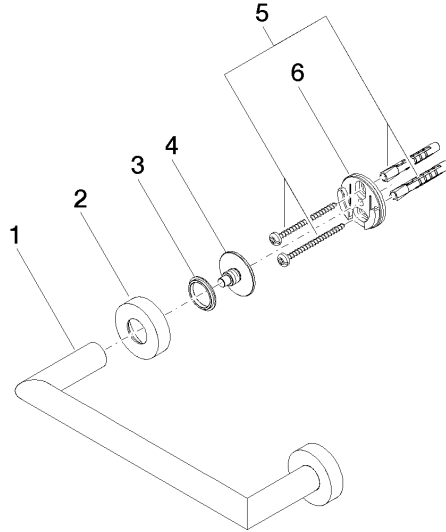


## EDITION PRO Bath grip - Brushed Chrome

---

83 020 626

Parts for other  
finishes can be found  
here: [Chrome](#)





## EDITION PRO Bath grip - Brushed Chrome

---

83 020 626

### Spare parts list

| No. | Item Number        | Name   | Quantity used | Delivery time |
|-----|--------------------|--------|---------------|---------------|
|     | 05 28 22 545 00-93 | holder | 10            | 20            |