

Tissue holder with cover - Brushed Platinum

83 510 979 Product version from 7/1/2023



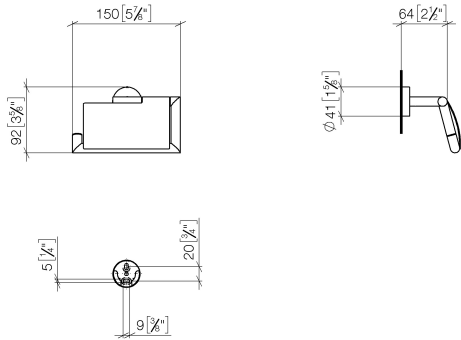
- width 150mm
- height 95 mm
- rosette Ø 40 mm
- 40mm projection

	Brushed Platinum	83 510 979-06
	Chrome	83 510 979-00
	Dark Chrome	83 510 979-19
	Light Gold	83 510 979-26
	Brushed Light Gold	83 510 979-27
	Matte Black	83 510 979-33
	Brushed Bronze	83 510 979-42
	Brushed Champagne (22kt Gold)	83 510 979-46
	Champagne (22kt Gold)	83 510 979-47
	Brushed Chrome	83 510 979-93
	Brushed Dark Platinum	83 510 979-99

Tissue holder with cover - Brushed Platinum

83 510 979 Product version from 7/1/2023

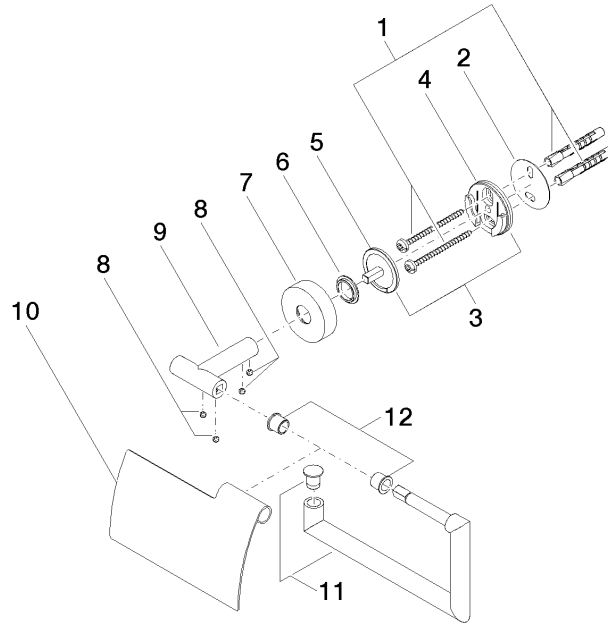
mm [inches]



Tissue holder with cover - Brushed Platinum

83 510 979 Product version from 7/1/2023

Parts for other finishes can be found here: [Chrome](#)



Spare parts list

No.	Item Number	Name	Quantity used	Delivery time
1	05 30 31 025 00 90	fixing set	1	2
2	05 30 11 519 00 90	disc	1	2
3	05 17 97 501 01 90	fixing set	1	2
4	08 17 97 501 07	holder	1	2
5	08 17 97 559 90	holder	1	2
6	08 30 11 516 90	ring	1	2
7	08 27 97 500-06	rosette	1	10
8	90 31 11 038 00 90	pin	4	2
9	05 17 97 562 01-06	holder	1	10
10	08 11 02 514-06	lid	1	10
11	90 28 22 628 00-06	holder	1	10
12	08 18 40 501 90	sleeve	1	2