

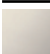



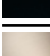





ST 110 105 2809



- 241mm projection
- pivotable spout 360°
- air-enriched flow and spray flow
- fabric braided hose 1500 mm
- automatic spout/shower diverter
- sprayface with anti-scaling system
- max. flow 7 l/min at 3 bar flow pressure
- lead-free
- This product can help a building meet the requirements of Green Building Rating Systems, e.g. LEED®, BREEAM®, DGNB

	Chrome	ST 110 105 2809-00
	Brushed Platinum	ST 110 105 2809-06
	Platinum	ST 110 105 2809-08
	Durabronze (23kt Gold)	ST 110 105 2809-09
	Dark Chrome	ST 110 105 2809-19
	Brushed Durabronze (23kt Gold)	ST 110 105 2809-28
	Matte Black	ST 110 105 2809-33
	Brushed Champagne (22kt Gold)	ST 110 105 2809-46
	Champagne (22kt Gold)	ST 110 105 2809-47
	Brushed Chrome	ST 110 105 2809-93
	Brushed Dark Platinum	ST 110 105 2809-99

Individual components of this set

You need the following components for this set



1x 27 718 809-00



1x 33 826 809-00



VAIA Single-lever mixer with rinsing spray set - Chrome

VAIA

ST 110 105 2809

ST 110 105 2809



- with round rosette
- spray flow
- automatic spout/shower diverter
- height of mixer 171 mm
- hole diameter rinsing spray 32mm
- fabric braided hose 1500 mm
- sprayface with anti-scaling system
- lead-free
- This product can help a building meet the requirements of Green Building Rating Systems, e.g. LEED®, BREEAM®, DGNB

Can only be combined with 33810809, 33826809, 19815809, 19825809.

Intrinsic protection against back flow.

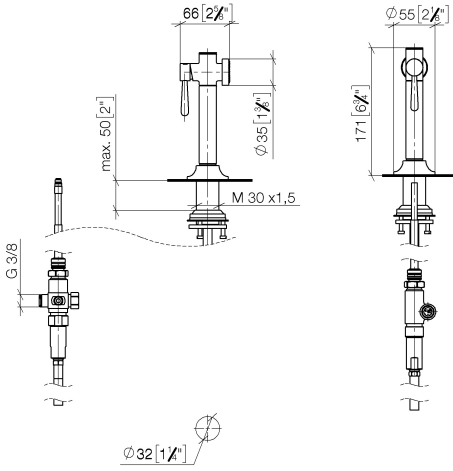
Residual water may emerge from the spray after closing.

Operating unit can be positioned freely.

	Chrome	27 718 809-00
	Brushed Platinum	27 718 809-06
	Platinum	27 718 809-08
	Durabrand (23kt Gold)	27 718 809-09
	Dark Chrome	27 718 809-19
	Brushed Durabrand (23kt Gold)	27 718 809-28
	Matte Black	27 718 809-33
	Brushed Champagne (22kt Gold)	27 718 809-46
	Champagne (22kt Gold)	27 718 809-47
	Brushed Chrome	27 718 809-93
	Brushed Dark Platinum	27 718 809-99

ST 110 105 2809

mm [inches]



Flow rate chart



Certificates

LGA_38634.

ST 110 105 2809

Parts for other finishes can be found here: [Brushed](#)
[Platinum](#)



Spare parts list

No.	Item Number	Name	Quantity used	Delivery time
1	90 12 11 096 12-00	shower	1	-
Spare part can no longer be ordered, please order the replacement item				
2	90 18 40 085 00 90	sleeve	1	2
3	90 30 01 142 00-00	shaft	1	-
Spare part can no longer be ordered, please order the replacement item				
4	04 23 10 047 00 92	fixing set	1	60
5	90 30 02 062 00-00	hose	1	2
6	90 24 03 241 00 90	nipple	1	2
7	90 17 09 046 12 90	diverter	1	2
8	90 28 20 068 00 90	connection	1	2

ST 110 105 2809



- 241mm projection
- pivotable spout 360°
- air-enriched flow
- max. flow 7 l/min at 3 bar flow pressure
- lead-free
- This product can help a building meet the requirements of Green Building Rating Systems, e.g. LEED®, BREEAM®, DGNB

Single-lever mixer for combining with rinsing/Profi spray only

	Chrome	33 826 809-00
	Brushed Platinum	33 826 809-06
	Platinum	33 826 809-08
	Durabrand (23kt Gold)	33 826 809-09
	Dark Chrome	33 826 809-19
	Brushed Durabrand (23kt Gold)	33 826 809-28
	Matte Black	33 826 809-33
	Brushed Champagne (22kt Gold)	33 826 809-46
	Champagne (22kt Gold)	33 826 809-47
	Brushed Chrome	33 826 809-93
	Brushed Dark Platinum	33 826 809-99

Recommended miscellaneous



VAIA Rinsing spray set - Chrome 27 718 809-00

Recommended miscellaneous



VAIA Dispenser with rosette - Chrome 82 434 809-00



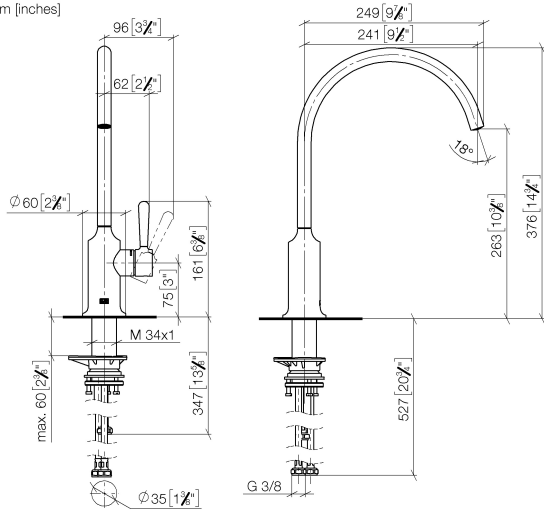
VAIA Single-lever mixer with rinsing spray set - Chrome

VAIA

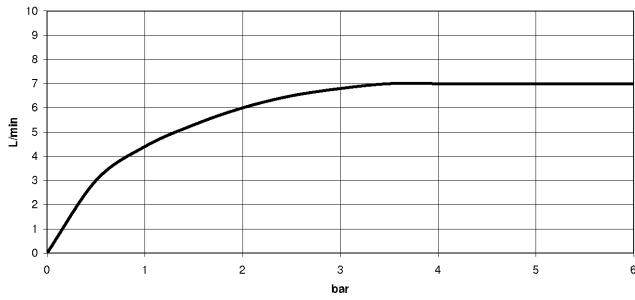
ST 110 105 2809

ST 110 105 2809

mm [inches]



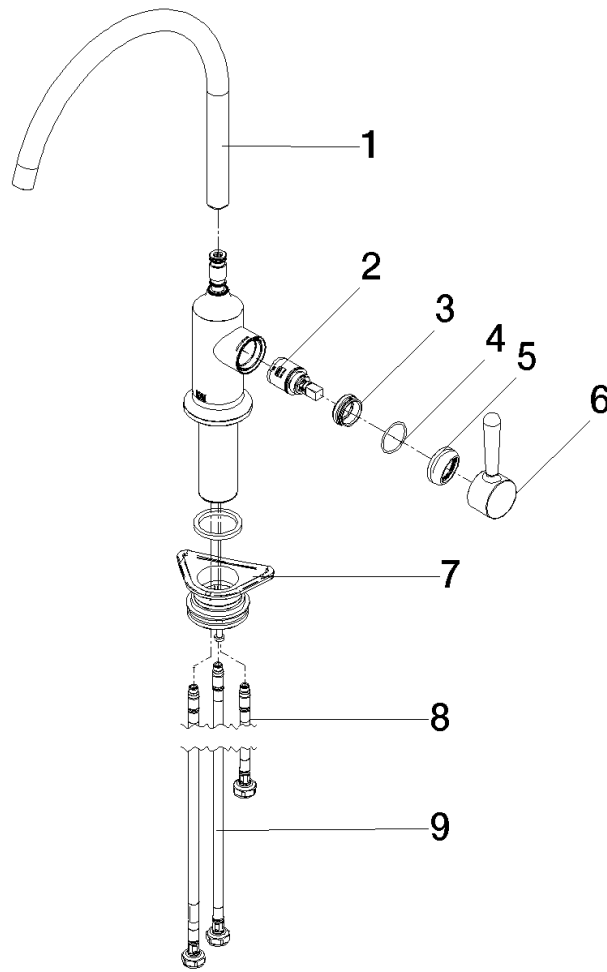
Flow rate chart



Certificates

LGA_38631.

ST 110 105 2809



Spare parts list

No.	Item Number	Name	Quantity used	Delivery time
1	90 28 22 396 00-00	spout	1	10
2	90 15 05 042 00 90	cartridge	1	2
3	09 24 04 266 90	nut	1	2
4	09 14 10 091 90	seal	1	2
5	90 28 30 052 00-00	cover	1	10
6	90 20 80 050 00-00	handle	1	10
7	04 23 10 044 08 90	fixing set	1	2
8	04 30 04 100 00 90	hose	1	2
9	04 30 04 101 00 90	hose	2	2