

## WATER SHEET Cascade spout for wall mounting - Chrome

IMO

13 415 979 Product version from 10/1/2023



- 150mm projection
- CASCADE, max. flow rate 26.5 l/min (at 3 bar)
- cover plate 240 x 60 mm
- 1/2" connection
- plug-link mounting
- WRAS

Fits: IMO, LULU, MADISON, MEM, TARA, CL.1, LISSÉ, VAIA, META, CYO

|   |                                     |               |
|---|-------------------------------------|---------------|
|    | Chrome                              | 13 415 979-00 |
|    | Brushed Platinum                    | 13 415 979-06 |
|    | Platinum                            | 13 415 979-08 |
|    | Dark Chrome                         | 13 415 979-19 |
|    | Light Gold                          | 13 415 979-26 |
|    | Brushed Light Gold                  | 13 415 979-27 |
|    | Brushed Durabronze<br>(23kt Gold)   | 13 415 979-28 |
|    | Matte Black                         | 13 415 979-33 |
|    | Brushed Bronze                      | 13 415 979-42 |
|   | Brushed<br>Champagne (22kt<br>Gold) | 13 415 979-46 |
|  | Champagne (22kt<br>Gold)            | 13 415 979-47 |
|  | Brushed Chrome                      | 13 415 979-93 |
|  | Brushed Dark<br>Platinum            | 13 415 979-99 |

### Recommended miscellaneous



**Concealed wall elbow -**  
 • max. recess depth mm  
 • min. recess depth mm

35 085 970 90

### Recommended miscellaneous

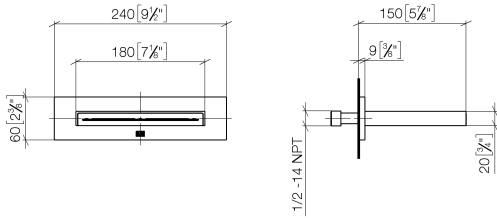


**Concealed wall elbow -**  
 • max. recess depth mm  
 • min. recess depth mm

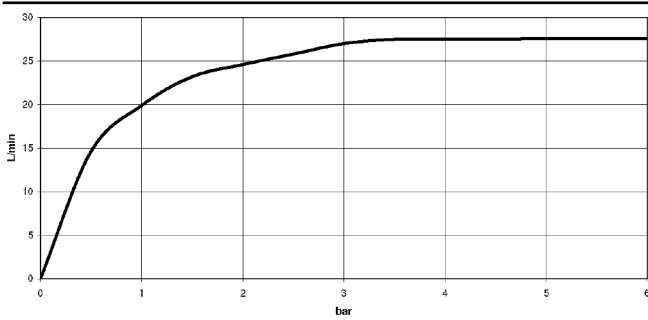
35 085 970 90

13 415 979 Product version from 10/1/2023

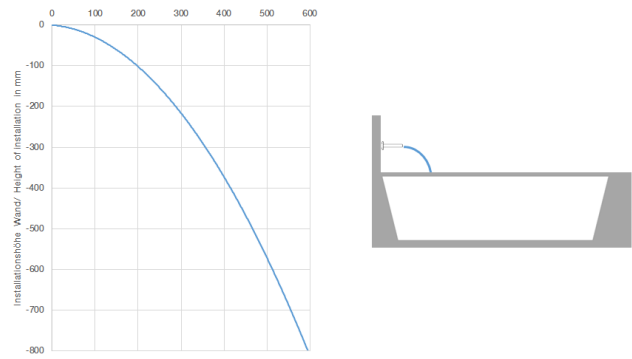
mm [inches]



Flow rate chart



Trajectory diagram



Codes & Standards

|                        |                             |           |          |
|------------------------|-----------------------------|-----------|----------|
| ASME A112.18.1         | cUPC                        | DIN 4109  | ISO 3822 |
| Scottish Water Byelaws | UK Water Supply Regulations | Ü-Zeichen |          |



## WATER SHEET Cascade spout for wall mounting - Chrome

IMO

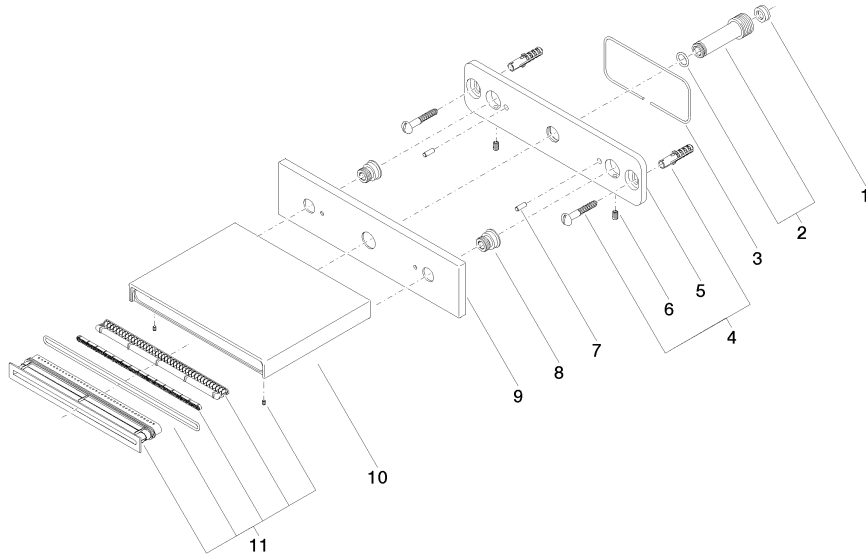
13 415 979 Product version from 10/1/2023

### Certificates

LGA\_19

WRAS\_2306

IAPMO\_4976



### Spare parts list

| No. | Item Number        | Name         | Quantity used | Delivery time |
|-----|--------------------|--------------|---------------|---------------|
| 1   | 09 23 01 057 90    | flow reducer | 1             | 2             |
| 2   | 90 24 03 213 00 90 | connection   | 1             | 2             |
| 3   | 09 14 03 134 90    | seal         | 1             | 2             |
| 4   | 04 30 31 024 01 90 | fixing set   | 1             | 2             |
| 5   | 09 17 97 059 90    | holder       | 1             | 2             |
| 6   | 09 31 11 036 90    | pin          | 2             | 2             |
| 7   | 09 31 11 040 90    | pin          | 2             | 2             |
| 8   | 09 24 03 214 90    | nipple       | 2             | 2             |
| 10  | 09 11 78 003 20-00 | spout        | 1             | 10            |
| 11  | 90 29 03 059 00 90 | insert       | 1             | 2             |