

**WATER FALL Cascade spout for wall mounting - Light Gold**

IMO

13 420 979 Product version from 4/1/2023



- 120mm projection
- CASCADE, max. flow rate 26.5 l/min (at 3 bar)
- cover plate 240 x 60 mm
- 1/2" connection
- plug-link mounting
- WRAS

Fits: IMO, LULU, MADISON, MEM, TARA, CL.1, LISSÉ, VAIA, META, CYO

	Light Gold	13 420 979-26
	Chrome	13 420 979-00
	Brushed Platinum	13 420 979-06
	Platinum	13 420 979-08
	Dark Chrome	13 420 979-19
	Brushed Light Gold	13 420 979-27
	Brushed Durabrass (23kt Gold)	13 420 979-28
	Matte Black	13 420 979-33
	Brushed Bronze	13 420 979-42
	Brushed Champagne (22kt Gold)	13 420 979-46
	Champagne (22kt Gold)	13 420 979-47
	Brushed Chrome	13 420 979-93

**Recommended miscellaneous**

	<b>Concealed wall elbow -</b> •min. recess depth mm •max. recess depth mm	35 085 970 90
--	---	---------------

**Recommended miscellaneous**

	<b>Concealed wall elbow -</b> •min. recess depth mm •max. recess depth mm	35 085 970 90
--	---	---------------

13 420 979 Product version from 4/1/2023

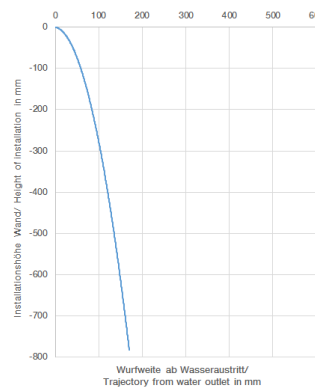
mm [inches]



**Flow rate chart**



**Trajectory diagram**



**Codes & Standards**

DIN 4109

ISO 3822

Ü-Zeichen



## WATER FALL Cascade spout for wall mounting - Light Gold

---

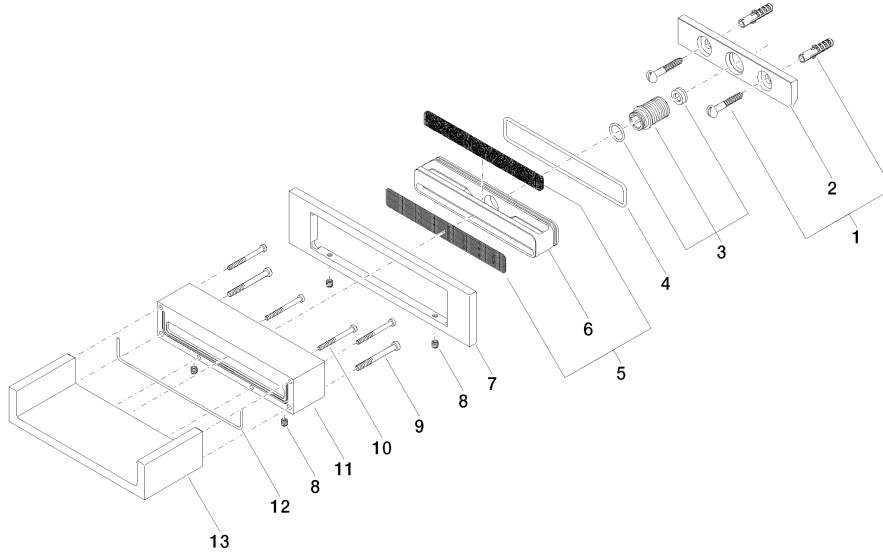
IMO

13 420 979 Product version from 4/1/2023

### Certificates

---

LGA\_18



## Spare parts list

No.	Item Number	Name	Quantity used	Delivery time
1	04 30 31 024 01 90	fixing set	1	2
2	09 17 97 056 90	holder	1	2
3	90 24 05 008 00 90	nipple set	1	2
4	09 14 10 504 90	seal	1	2
5	90 29 30 040 00 90	insert	1	2
6	09 17 11 044 20 90	distributor	1	2
7	09 27 97 034-26	rosette	1	60
8	09 31 11 049 90	pin	4	2
9	09 30 30 147 90	screw	2	2
10	09 30 30 086 90	screw	4	2
11	09 30 01 104-26	casing	1	60
12	09 14 03 504 90	seal	1	2
13	09 11 94 046-26	spout	1	60