

Bath cascade spout for wall mounting - Dark Chrome

MEM

13 430 740

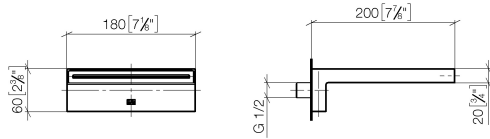


- 200mm projection
- cascade
- plate 180 mm x 60 mm
- hole diameter 40 mm
- 1/2" connection
- plug-link mounting
- max. flow 26.5 l/min at 3 bar flow pressure
- WRAS 240502013, 1809017

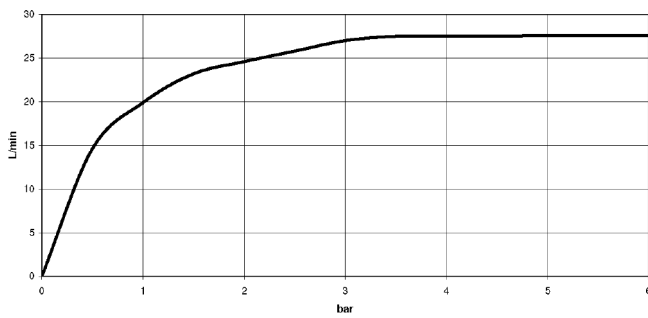
	Dark Chrome	13 430 740-19
	Chrome	13 430 740-00
	Brushed Platinum	13 430 740-06
	Platinum	13 430 740-08
	Brushed Durabronze (23kt Gold)	13 430 740-28
	Matte Black	13 430 740-33
	Brushed Champagne (22kt Gold)	13 430 740-46
	Champagne (22kt Gold)	13 430 740-47
	Brushed Dark Platinum	13 430 740-99

13 430 740

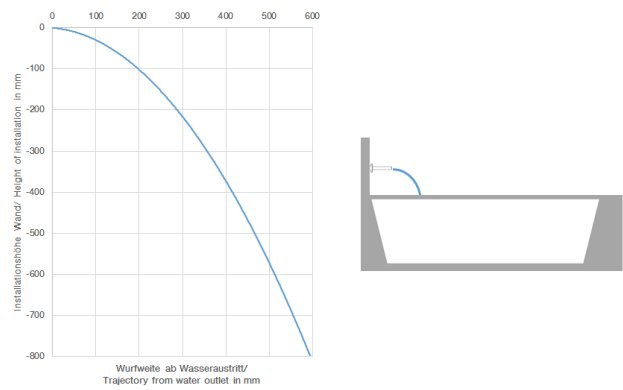
mm [inches]



Flow rate chart



Trajectory diagram



Codes & Standards

Scottish Water
Byelaws

UK Water Supply
Regulations



Bath cascade spout for wall mounting - Dark Chrome

MEM

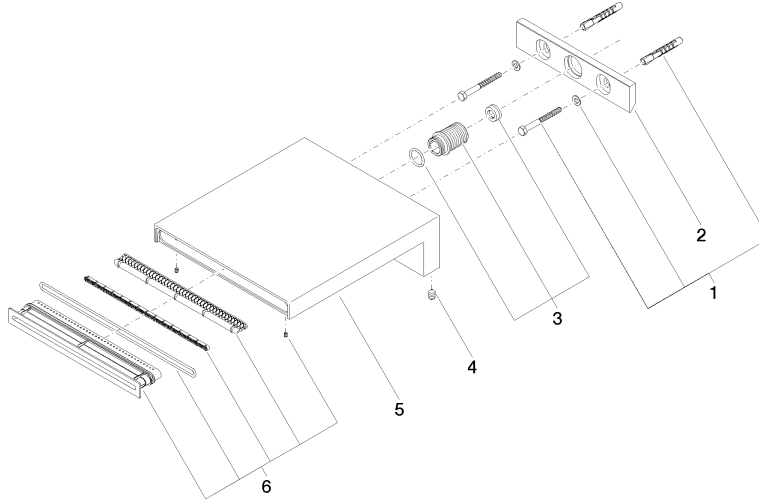
13 430 740

Certificates

WRAS_240502

13 430 740

Parts for other
finishes can be found
here: [Chrome](#)





Bath cascade spout for wall mounting - Dark Chrome

MEM

13 430 740

Spare parts list