






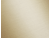

**MEM Bath spout without diverter for free-standing assembly - Dark Chrome**

MEM

13 672 780

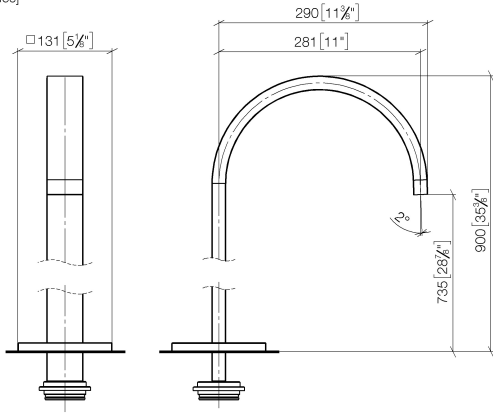


- 280mm projection
- cascade
- total height 830 - 900 mm
- height up to aerator 665 – 735 mm
- push-on rosette 130 x 130 mm
- max. flow 47.8 l/min at 3 bar flow pressure
- WRAS 2005008

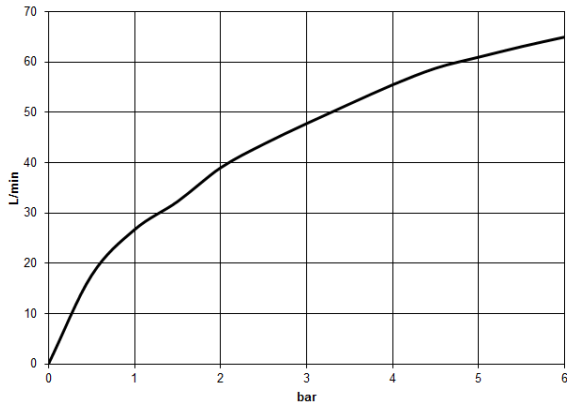
|  |                                     |               |
|--|-------------------------------------|---------------|
|  | Dark Chrome                         | 13 672 780-19 |
|  | Chrome                              | 13 672 780-00 |
|  | Brushed Platinum                    | 13 672 780-06 |
|  | Platinum                            | 13 672 780-08 |
|  | Brushed Durabronze<br>(23kt Gold)   | 13 672 780-28 |
|  | Brushed<br>Champagne (22kt<br>Gold) | 13 672 780-46 |
|  | Champagne (22kt<br>Gold)            | 13 672 780-47 |

13 672 780

mm [inches]

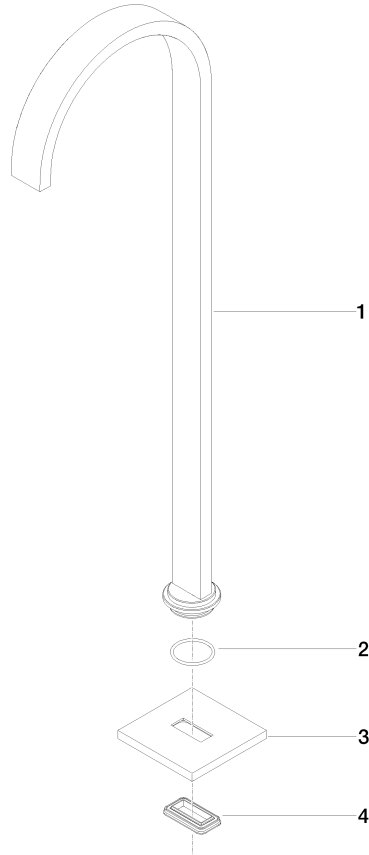


**Flow rate chart**



13 672 780

Parts for other finishes can be found here: [Chrome](#)





## MEM Bath spout without diverter for free-standing assembly - Dark Chrome

---

MEM

13 672 780

### **Spare parts list**