

MEM Deck-mounted basin spout with pop-up waste - Brushed Champagne (22kt Gold)

MEM

13 715 782



- 200mm projection
- fixed spout
- rectangular, air-enriched flow
- height of mixer 321 mm
- height up to aerator 190 mm
- hole diameter 35 mm
- 2x screw-in M 10 x 1 pressure hose, leak-tested
- rosette 60 x 60 mm
- max. flow 5.7 l/min
- lead-free
- This product can help a building meet the requirements of Green Building Rating Systems, e.g. LEED®, BREEAM®, DGNB

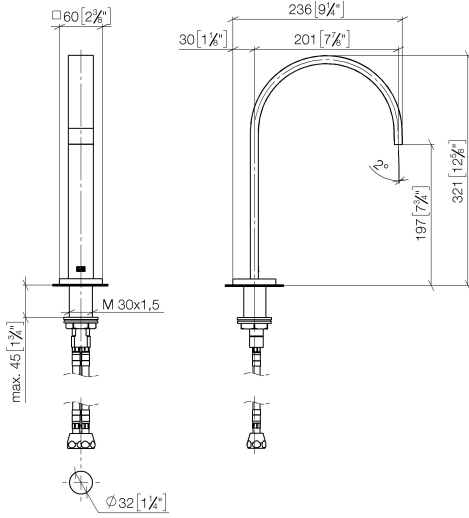
Only suitable for basins with an overflow.

| | | |
|--|--------------------------------|---------------|
|  | Brushed Champagne (22kt Gold) | 13 715 782-46 |
|  | Chrome | 13 715 782-00 |
|  | Brushed Platinum | 13 715 782-06 |
|  | Platinum | 13 715 782-08 |
|  | Dark Chrome | 13 715 782-19 |
|  | Brushed Durabronze (23kt Gold) | 13 715 782-28 |
|  | Champagne (22kt Gold) | 13 715 782-47 |
|  | Brushed Dark Platinum | 13 715 782-99 |

**MEM Deck-mounted basin spout with pop-up waste - Brushed Champagne
(22kt Gold)**

MEM

13 715 782
mm [inches]



Flow rate chart



Codes & Standards

Executive Order
no. 1007



MEM Deck-mounted basin spout with pop-up waste - Brushed Champagne
(22kt Gold)

MEM

13 715 782
Certificates

GDV_0400



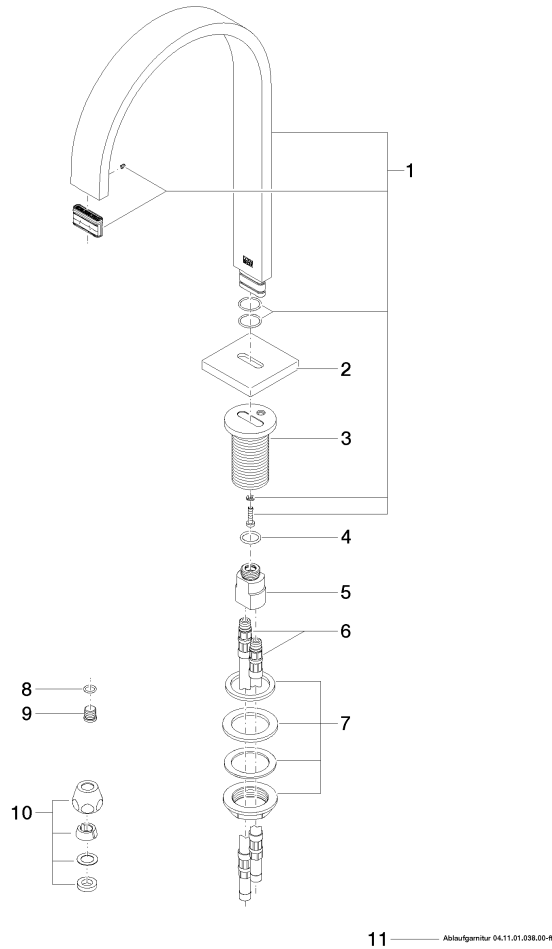
MEM Deck-mounted basin spout with pop-up waste - Brushed Champagne (22kt Gold)

MEM

13 715 782

Product version from 7/1/2021

Parts for other finishes can be found here: [Chrome](#)





MEM Deck-mounted basin spout with pop-up waste - Brushed Champagne
(22kt Gold)

MEM

13 715 782

Spare parts list

Product version from 7/1/2021