
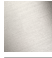







IMO Pillar tap cold water - Chrome

17 500 671 Product version from 4/1/2024



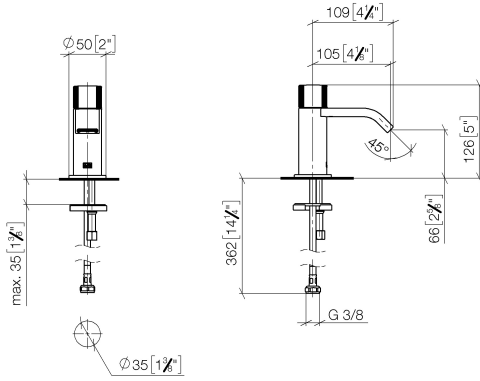
- 105mm projection
- fixed spout
- rectangular, air-enriched flow
- height of mixer 126 mm
- height up to aerator 66 mm
- hole diameter 35 mm
- 1/2" connection
- rosette Ø 50 mm
- max. flow 4.6 l/min
- lead-free

	Chrome	17 500 671-00
	Brushed Platinum	17 500 671-06
	Dark Chrome	17 500 671-19
	Brushed Light Gold	17 500 671-27
	Matte Black	17 500 671-33
	Brushed Chrome	17 500 671-93
	Brushed Dark Platinum	17 500 671-99

IMO Pillar tap cold water - Chrome

17 500 671 Product version from 4/1/2024

mm [inches]



Flow rate chart



Codes & Standards

DIN 4109

ISO 3822

Ü-Zeichen



IMO Pillar tap cold water - Chrome

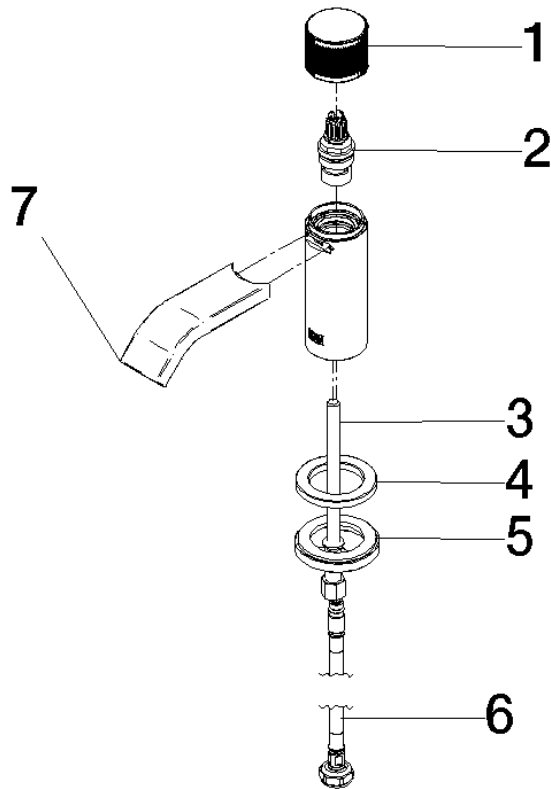
17 500 671 Product version from 4/1/2024

Certificates

LGA_38

IMO Pillar tap cold water - Chrome

17 500 671 Product version from 4/1/2024



Spare parts list

No.	Item Number	Name	Quantity used	Delivery time
1	09 20 66 012-00	handle	1	10
2	90 90 03 135 00 90	top	1	2
3	09 31 11 012 90	pin	1	2
4	09 27 66 006-00	rosette	1	10
5	04 30 11 038 00 90	fixing set	1	2
6	04 30 04 100 00 90	hose	1	2
7	90 28 22 402 00-00	spout	1	10