

19 825 809 Product version from 7/1/2023



- 241mm projection
- pivotable spout 360°
- air-enriched flow
- max. flow 7 l/min at 3 bar flow pressure
- lead-free
- This product can help a building meet the requirements of Green Building Rating Systems, e.g. LEED®, BREEAM®, DGNB

Two-hole mixer for combining with rinsing/Profi spray only

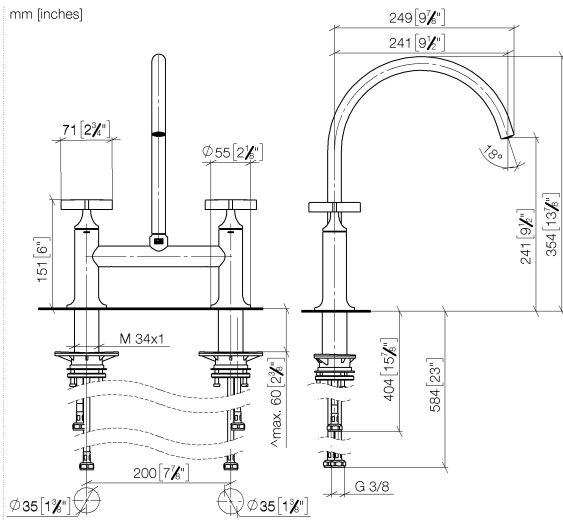
	Dark Chrome	19 825 809-19
	Chrome	19 825 809-00
	Brushed Platinum	19 825 809-06
	Platinum	19 825 809-08
	Durabrass (23kt Gold)	19 825 809-09
	Brushed Durabrass (23kt Gold)	19 825 809-28
	Matte Black	19 825 809-33
	Brushed Bronze	19 825 809-42
	Brushed Champagne (22kt Gold)	19 825 809-46
	Champagne (22kt Gold)	19 825 809-47
	Brushed Chrome	19 825 809-93
	Brushed Dark Platinum	19 825 809-99

Recommended miscellaneous

VAIA Dispenser with rosette - Dark Chrome 82 434 809-19



19 825 809 Product version from 7/1/2023



Flow rate chart



Codes & Standards

DIN 4109

ISO 3822

Ü-Zeichen



VAIA Two-hole bridge mixer for rinsing/Profi spray - Dark Chrome

VAIA

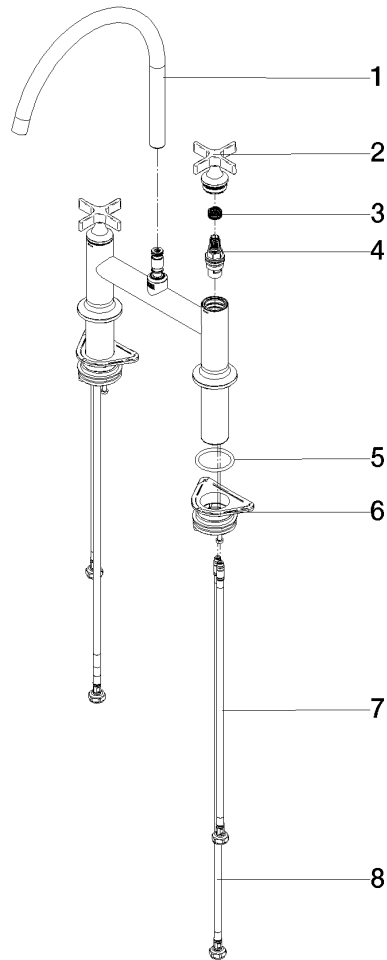
19 825 809 Product version from 7/1/2023

Certificates

LGA_38

19 825 809 Product version from 7/1/2023

Parts for other finishes can be found here: [Chrome](#)



Spare parts list

No.	Item Number	Name	Quantity used	Delivery time
1	90 28 22 396 00-19	spout	1	20
2	90 20 80 036 00-19	handle	2	-
Spare part can no longer be ordered, please order the replacement item				
3	90 12 12 232 00 90	fixing cap	2	2
4	90 90 03 131 00 90	top	2	2
5	90 14 10 043 00 90	seal	2	2
6	04 30 11 040 00 90	fixing set	2	2
7	04 30 04 100 00 90	hose	2	2
8	04 30 04 101 00 90	hose	2	2