

Deck valve anti-clockwise closing cold - Brushed Champagne (22kt Gold)







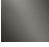
CL.1

20 000 716



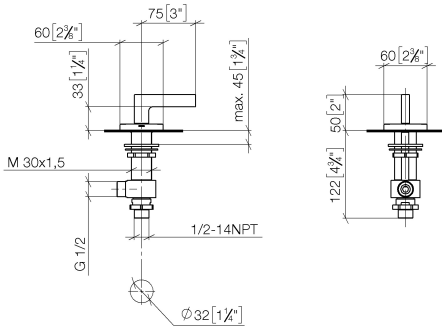
- hole diameter 32 mm
- rosette 60 x 60 mm
- with cold marking

Fits: CL.1, CYO

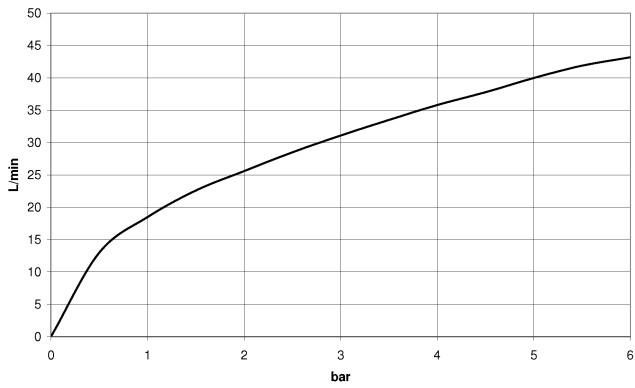
| | | |
|--|--------------------------------|---------------|
|  | Brushed Champagne (22kt Gold) | 20 000 716-46 |
|  | Chrome | 20 000 716-00 |
|  | Brushed Platinum | 20 000 716-06 |
|  | Dark Chrome | 20 000 716-19 |
|  | Brushed Durabronze (23kt Gold) | 20 000 716-28 |
|  | Champagne (22kt Gold) | 20 000 716-47 |
|  | Brushed Dark Platinum | 20 000 716-99 |

20 000 716

mm [inches]



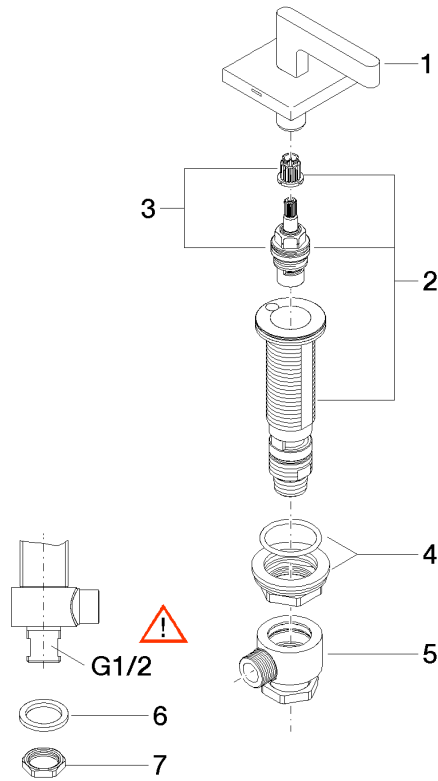
Flow rate chart



20 000 716

Product version from 6/1/2015

Parts for other finishes can be found here: [Chrome](#)





Deck valve anti-clockwise closing cold - Brushed Champagne (22kt Gold)

CL.1

20 000 716

Spare parts list

Product version from 6/1/2015

| No. | Item Number | Name | Quantity used | Delivery time |
|-----|--------------------|-----------------|---------------|---------------|
| | 90 20 70 057 01-46 | handle (cold) | 7 | 30 |