

**MEM Deck valve anti-clockwise closing hot - Chrome**

MEM

20 000 783

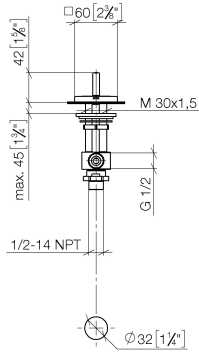


- hole diameter 32 mm
- rosette 60 x 60 mm
- with hot marking
- WRAS 2103001

	Chrome	20 000 783-00
	Brushed Platinum	20 000 783-06
	Platinum	20 000 783-08
	Dark Chrome	20 000 783-19
	Brushed Durabronze (23kt Gold)	20 000 783-28
	Brushed Champagne (22kt Gold)	20 000 783-46
	Champagne (22kt Gold)	20 000 783-47
	Brushed Dark Platinum	20 000 783-99

20 000 783

mm [inches]



**Flow rate chart**



**Codes & Standards**

ASME A112.18.1

cUPC

Scottish Water  
Byelaws

UK Water Supply  
Regulations



## MEM Deck valve anti-clockwise closing hot - Chrome

---

MEM

20 000 783

### Certificates

---

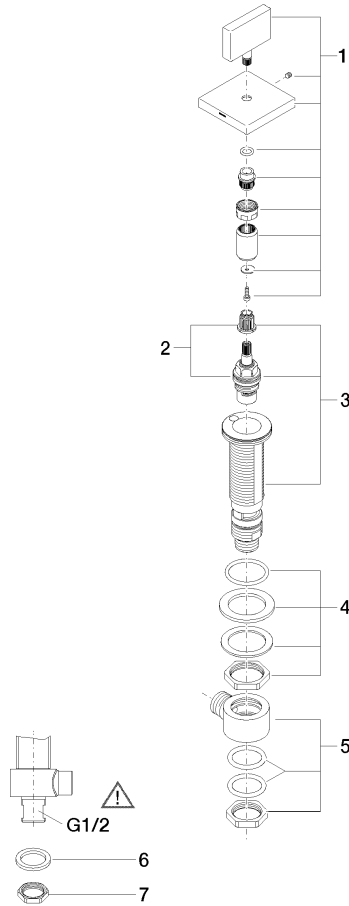
IAPMO\_4976

WRAS\_2103

20 000 783

**Product version from 3/10/2014**

Parts for other finishes can be found here: Brushed Platinum





MEM Deck valve anti-clockwise closing hot - Chrome

MEM

20 000 783

**Spare parts list**

**Product version from 3/10/2014**

No.	Item Number	Name	Quantity used	Delivery time
	90 20 78 002 05-00	handle ( hot )	7	10