

**MEM Three-hole basin mixer with pop-up waste - Brushed Champagne (22kt Gold)**

MEM

20 713 782



- 165mm projection
- fixed spout
- rectangular, air-enriched flow
- height of mixer 277 mm
- height up to aerator 170 mm
- hole diameter spout 35 mm
- hole diameter valve 32 mm
- rosette 60 x 60 mm
- 2x screw-in M 10 x 1 pressure hose, leak-tested
- max. flow 8.3 l/min
- lead-free
- This product can help a building meet the requirements of Green Building Rating Systems, e.g. LEED®, BREEAM®, DGNB
- WRAS 2306057

Only suitable for basins with an overflow.

	Brushed Champagne (22kt Gold)	20 713 782-46
	Chrome	20 713 782-00
	Brushed Platinum	20 713 782-06
	Platinum	20 713 782-08
	Dark Chrome	20 713 782-19
	Brushed Durabronze (23kt Gold)	20 713 782-28
	Champagne (22kt Gold)	20 713 782-47
	Brushed Dark Platinum	20 713 782-99

**Recommended miscellaneous**



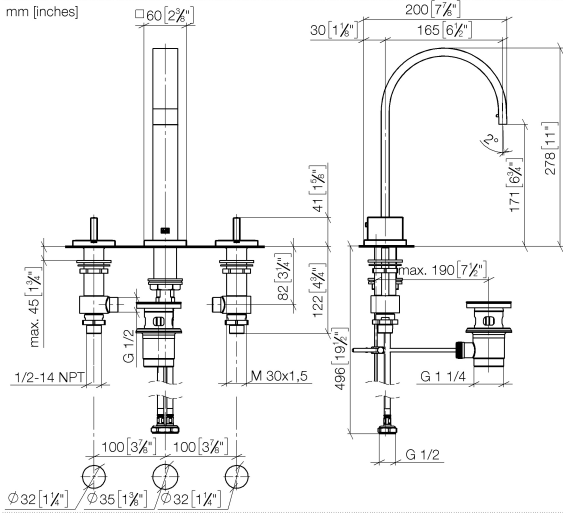
**High pressure hoses -**  
● 2x 3/8" x 1/2" x 500mm high pressure hose

12 506 970 90

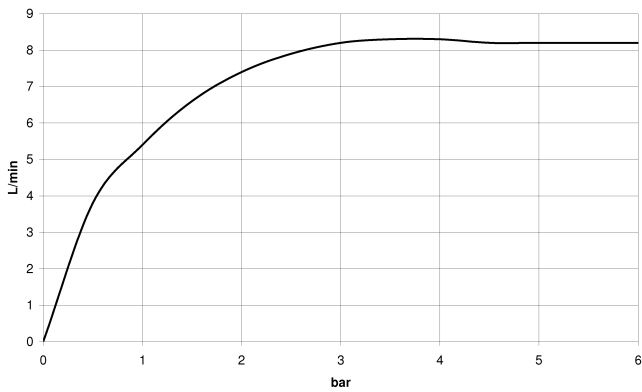
**MEM Three-hole basin mixer with pop-up waste - Brushed Champagne (22kt Gold)**

MEM

20 713 782



**Flow rate chart**



**Codes & Standards**

DIN 4109

EN 200

Executive Order  
no. 1007

ISO 3822

Scottish Water  
Byelaws

UK Water Supply  
Regulations

Ü-Zeichen

VA-Zeichen



MEM Three-hole basin mixer with pop-up waste - Brushed Champagne (22kt Gold)

---

MEM

20 713 782  
Certificates

---

ETA\_18

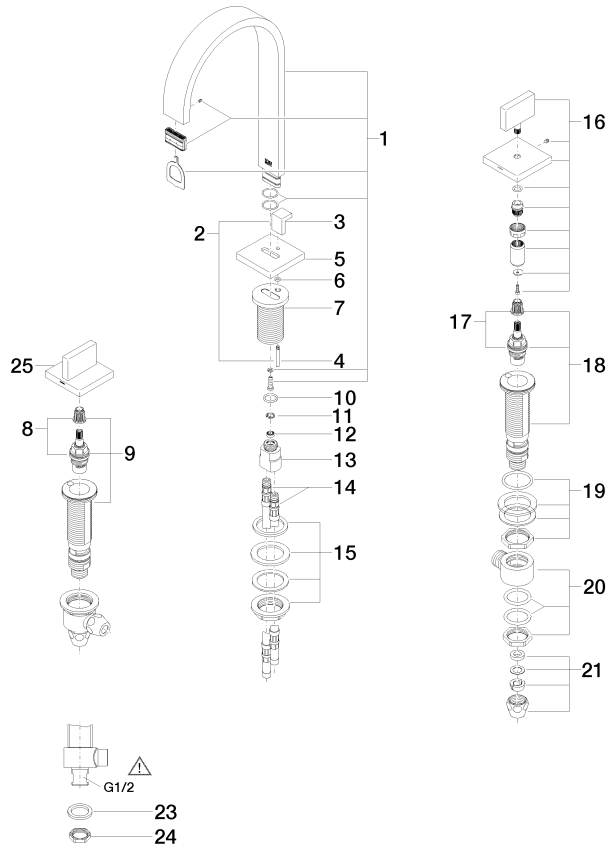
WRAS\_2306

GDV\_0400

LGA\_18

20 713 782

**Product version from 3/10/2014**



22 ——— All rights reserved 06.11.01.001.00-P



MEM Three-hole basin mixer with pop-up waste - Brushed Champagne (22kt Gold)

MEM

20 713 782

### Spare parts list

#### Product version from 3/10/2014

No.	Item Number	Name	Quantity used	Delivery time
	90 28 22 158 00-46	spout	33	30