

20 713 882



- 165mm projection
- pivotable spout 360°
- circular, air-enriched flow
- height of mixer 285 mm
- height up to aerator 163 mm
- hole diameter valve 32 mm
- hole diameter spout 35 mm
- rosette Ø 55 mm
- 2x screw-in M 10 x 1 pressure hose, leak-tested
- max. flow 7 l/min
- lead-free
- WRAS 2212026
- This product can help a building meet the requirements of Green Building Rating Systems, e.g. LEED®, BREEAM®, DGNB

Only suitable for basins with an overflow.

|  |                                |               |
|--|--------------------------------|---------------|
|    | Platinum                       | 20 713 882-08 |
|    | Chrome                         | 20 713 882-00 |
|    | Brushed Platinum               | 20 713 882-06 |
|    | Dark Chrome                    | 20 713 882-19 |
|    | Brushed Durabronze (23kt Gold) | 20 713 882-28 |
|    | Matte Black                    | 20 713 882-33 |
|    | Brushed Bronze                 | 20 713 882-42 |
|    | Brushed Champagne (22kt Gold)  | 20 713 882-46 |
|    | Champagne (22kt Gold)          | 20 713 882-47 |
|   | Brushed Chrome                 | 20 713 882-93 |
|  | Brushed Dark Platinum          | 20 713 882-99 |

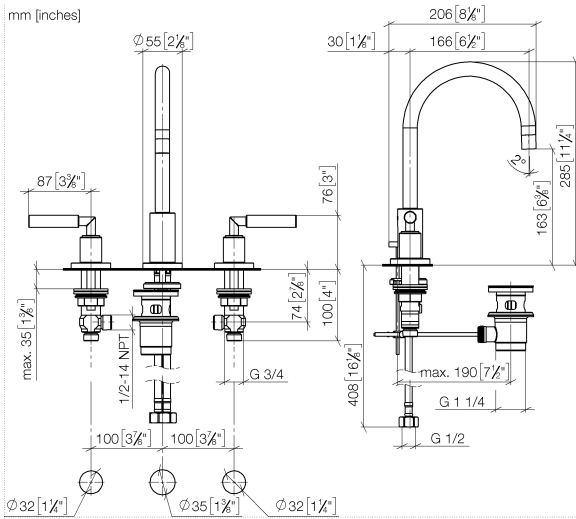
Recommended miscellaneous



- High pressure hoses -**  
 • 2x 3/8" x 1/2" x 500mm high pressure hose

12 506 970 90

20 713 882



Flow rate chart



Codes & Standards

|                        |                             |                          |            |
|------------------------|-----------------------------|--------------------------|------------|
| DIN 4109               | EN 200                      | Executive Order no. 1007 | ISO 3822   |
| Scottish Water Byelaws | UK Water Supply Regulations | Ü-Zeichen                | VA-Zeichen |
| XP P 41-280            |                             |                          |            |



TARA Three-hole basin mixer with pop-up waste - Platinum

TARA

20 713 882

Certificates

LGA\_18

ACS\_20 ACC LY

ETA\_18

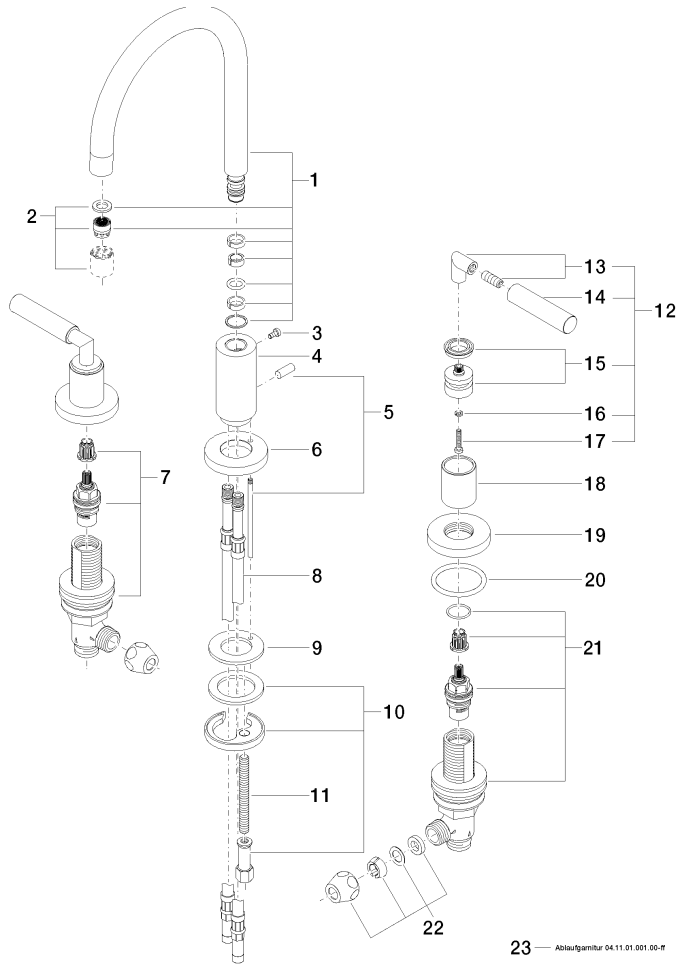
WRAS\_2212

GDV\_0400

20 713 882

Product version from 6/30/2009 to 6/25/2021

**Product version from 6/25/2021**





# TARA Three-hole basin mixer with pop-up waste - Platinum

TARA

20 713 882

## Spare parts list

Product version from 6/30/2009 to 6/25/2021

### Product version from 6/25/2021

| No. | Item Number        | Name  | Quantity used | Delivery time |
|-----|--------------------|-------|---------------|---------------|
|     | 90 28 22 213 01-08 | spout | 34            | 40            |