

26 413 892




- slide bar
- Pipe diameter 18 mm
- rosettes Ø 55 mm
- gauge 800 mm
- metal shower hose 1750mm with integrated anti-twist protection
- shower hose connector 3/8"
- WRAS 2009048

This article does not include a hand shower!


	Matte Black	26 413 892-33
	Chrome	26 413 892-00
	Brushed Platinum	26 413 892-06
	Platinum	26 413 892-08
	Dark Chrome	26 413 892-19
	Brushed Durabronze (23kt Gold)	26 413 892-28
	Brushed Bronze	26 413 892-42
	Brushed Champagne (22kt Gold)	26 413 892-46
	Champagne (22kt Gold)	26 413 892-47
	Brushed Chrome	26 413 892-93
	Brushed Dark Platinum	26 413 892-99

26 413 892

Recommended miscellaneous

	<b>Concealed wall elbow -</b> •max. recess depth 163 mm •min. recess depth 90 mm	35 085 970 90
---	--	---------------


Required miscellaneous

	<b>Hand shower FlowReduce - Matte Black</b>	28 012 979-33 0010
---	---	-----------------------


Required miscellaneous

	<b>Hand shower - Matte Black</b>	28 016 979-33
---	----------------------------------	---------------

Required miscellaneous

	<b>Hand shower FlowReduce - Matte Black</b>	28 016 979-33 0010
---	---	-----------------------

Required miscellaneous

	<b>Hand shower FlowReduce - Matte Black</b>	28 018 979-33 0010
---	---	-----------------------

Required miscellaneous

	<b>SERIES-VARIOUS Hand shower - Matte Black</b>	28 029 979-33
---	---	---------------

Required miscellaneous

	<b>SERIES-VARIOUS Hand shower - Matte Black</b>	28 027 979-33 0010
---	---	-----------------------

Recommended miscellaneous

	<b>Wall elbow - Matte Black</b>	28 450 625-33
---	---------------------------------	---------------

Required miscellaneous

	<b>Hand shower - Matte Black</b>	28 017 979-33
---	----------------------------------	---------------

Required miscellaneous

	<b>Hand shower - Matte Black</b>	28 012 979-33
---	----------------------------------	---------------

Required miscellaneous

	<b>Hand shower - Matte Black</b>	28 018 979-33
---	----------------------------------	---------------

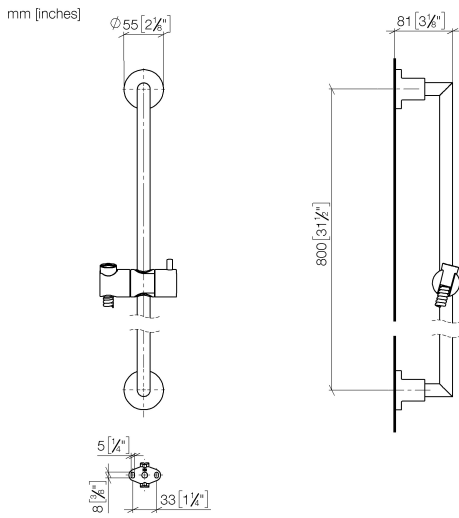
Required miscellaneous

	<b>SERIES-VARIOUS Hand shower - Matte Black</b>	28 029 979-33 0010
---	---	-----------------------

Required miscellaneous

	<b>SERIES-VARIOUS Hand shower - Matte Black</b>	28 025 979-33 0010
---	---	-----------------------

26 413 892



Codes & Standards

ASME A112.18.1

cUPC

Scottish Water  
Byelaws

UK Water Supply  
Regulations

XP P 41-280

Certificates

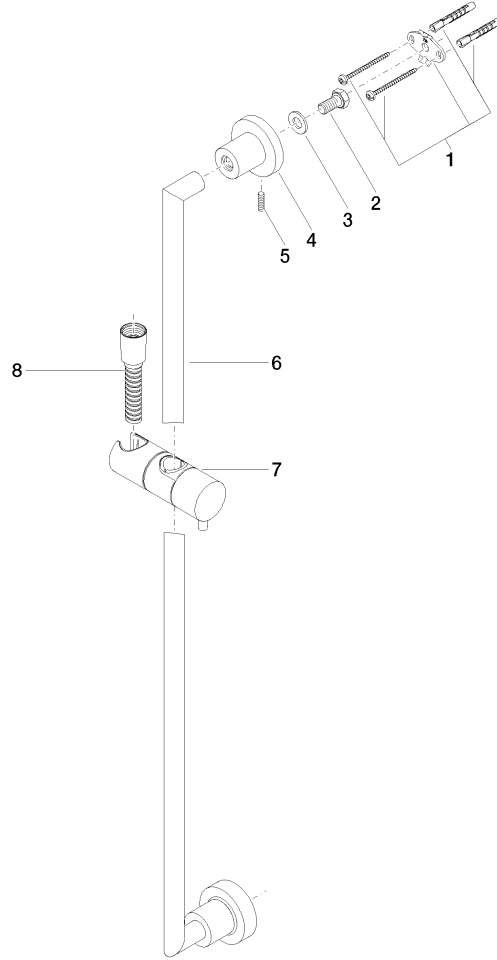
IAPMO\_4976

WRAS\_2009

ACS\_20 ACC LY

26 413 892

Product version from 4/1/2024





# TARA Shower set without hand shower - Matte Black

TARA

26 413 892

## Spare parts list

### Product version from 4/1/2024

No.	Item Number	Name	Quantity used	Delivery time
	05 17 20 739 00 90	fixing set	13	2