

Shower set without hand shower - Platinum

IMO

26 413 979



- slide bar
- Pipe diameter 18 mm
- gauge 853 mm
- metal shower hose 1750mm with integrated anti-twist protection
- shower hose connector 3/8"
- WRAS 2009048


This article does not include a hand shower!

Fits: IMO, LULU, MEM, TARA, CL.1, LISSÉ,
VAIA, META, CYO

	Platinum	26 413 979-08
	Chrome	26 413 979-00
	Brushed Platinum	26 413 979-06
	Dark Chrome	26 413 979-19
	Light Gold	26 413 979-26
	Brushed Light Gold	26 413 979-27
	Brushed Durabronze (23kt Gold)	26 413 979-28
	Matte Black	26 413 979-33
	Brushed Bronze	26 413 979-42
	Brushed Champagne (22kt Gold)	26 413 979-46
	Champagne (22kt Gold)	26 413 979-47
	Brushed Chrome	26 413 979-93
	Brushed Dark Platinum	26 413 979-99

26 413 979


Recommended miscellaneous

	Concealed wall elbow - •max. recess depth 163 mm •min. recess depth 90 mm	35 085 970 90
-----------------------------------------------------------------------------------	----------------------------------------------------------------------------------------	---------------


Required miscellaneous

	Hand shower - Platinum	28 016 979-08
-----------------------------------------------------------------------------------	-------------------------------	---------------


Required miscellaneous

	Hand shower FlowReduce - Platinum	28 016 979-08 0010
-----------------------------------------------------------------------------------	----------------------------------------------------	-----------------------

Required miscellaneous

	Hand shower - Platinum	28 017 979-08
-----------------------------------------------------------------------------------	-------------------------------	---------------


Required miscellaneous

	Hand shower FlowReduce - Platinum	28 018 979-08 0010
-------------------------------------------------------------------------------------	----------------------------------------------------	-----------------------

Required miscellaneous

	SERIES-VARIOUS Hand shower - Platinum	28 029 979-08 0010
-------------------------------------------------------------------------------------	--------------------------------------------------------	-----------------------


Recommended miscellaneous

	Wall elbow - Platinum	28 450 980-08
-----------------------------------------------------------------------------------	------------------------------	---------------

Required miscellaneous

	Hand shower - Platinum	28 012 979-08
-----------------------------------------------------------------------------------	-------------------------------	---------------

Required miscellaneous

	Hand shower FlowReduce - Platinum	28 012 979-08 0010
-----------------------------------------------------------------------------------	----------------------------------------------------	-----------------------

Required miscellaneous

	Hand shower - Platinum	28 018 979-08
-----------------------------------------------------------------------------------	-------------------------------	---------------

Required miscellaneous

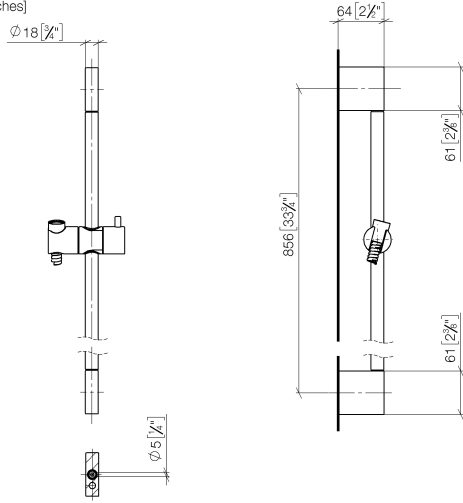
	SERIES-VARIOUS Hand shower - Platinum	28 029 979-08
-------------------------------------------------------------------------------------	--------------------------------------------------------	---------------

Required miscellaneous

	SERIES-VARIOUS Hand shower - Platinum	28 025 979-08 0010
-------------------------------------------------------------------------------------	--------------------------------------------------------	-----------------------

26 413 979

mm [inches]



Codes & Standards

ASME A112.18.1

cUPC

Scottish Water
Byelaws

UK Water Supply
Regulations

XP P 41-280

Certificates

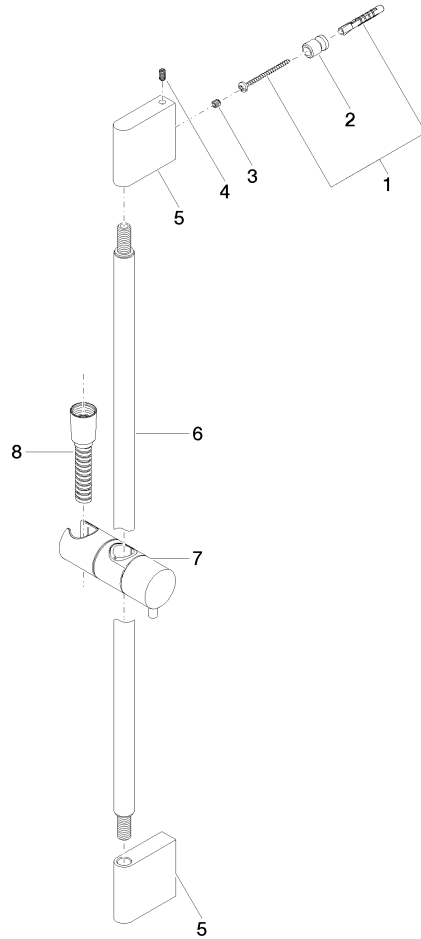
IAPMO_4976

WRAS_2009

ACS_20 ACC LY

26 413 979

Product version from 10/1/2023





Shower set without hand shower - Platinum

IMO

26 413 979

Spare parts list

Product version from 10/1/2023

No.	Item Number	Name	Quantity used	Delivery time
	05 17 20 726 02 90	fixing set	13	2