

Bidet spray - Platinum

27 701 970 Product version from 10/1/2023



- wall bracket with integrated safety shut off valve
- max. standing pressure: 5bar
- hand shower with back flow preventer
- 1/2" shower outlet
- rosette Ø 60 mm
- metal shower hose 1250mm with integrated anti-twist protection

This product does not provide intrinsic protection against backflow in accordance with DIN EN 1717. This product must not be installed and operated in countries where compliance with DIN EN 1717 is stipulated.

The bidet shower must be operated with an upstream main fitting.

| | | |
|-------------------------------------------------------------------------------------|-------------------------------|---------------|
|  | Platinum | 27 701 970-08 |
|  | Chrome | 27 701 970-00 |
|  | Brushed Platinum | 27 701 970-06 |
|  | Durabrand (23kt Gold) | 27 701 970-09 |
|  | Dark Chrome | 27 701 970-19 |
|  | Light Gold | 27 701 970-26 |
|  | Brushed Light Gold | 27 701 970-27 |
|  | Brushed Durabrand (23kt Gold) | 27 701 970-28 |
|  | Brushed Bronze | 27 701 970-42 |
|  | Brushed Champagne (22kt Gold) | 27 701 970-46 |
|  | Champagne (22kt Gold) | 27 701 970-47 |
|  | Brushed Chrome | 27 701 970-93 |
|  | Brushed Dark Platinum | 27 701 970-99 |

Recommended miscellaneous

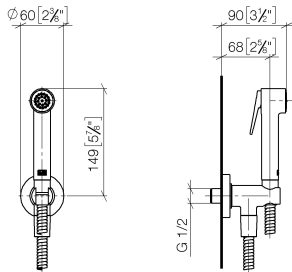
- Concealed wall elbow -** 35 085 970 90
- max. recess depth mm
 - min. recess depth mm



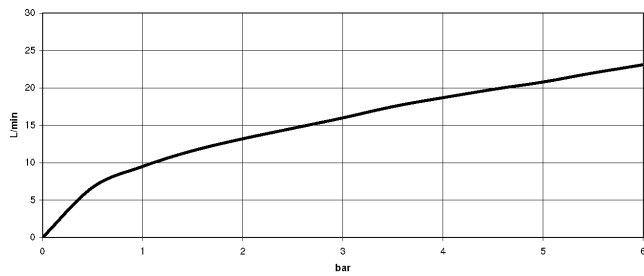
Bidet spray - Platinum

27 701 970 Product version from 10/1/2023

mm [inches]



Flow rate chart



Codes & Standards

DIN 4109

ISO 3822

Ü-Zeichen



Bidet spray - Platinum

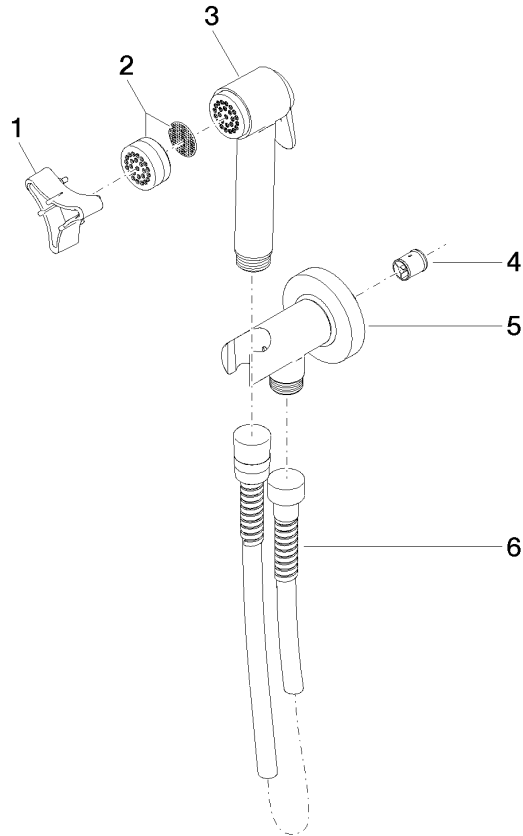
27 701 970 Product version from 10/1/2023

Certificates

LGA_29

Bidet spray - Platinum

27 701 970 Product version from 10/1/2023



Spare parts list

| No. | Item Number | Name | Quantity used | Delivery time |
|------------------------------------------------------------------------|--------------------|---------------------|---------------|---------------|
| 1 | 09 30 09 029 90 | key | 1 | 2 |
| 2 | 12 861 970-08 | accessories | 1 | - |
| Spare part can no longer be ordered, please order the replacement item | | | | |
| 3 | 90 12 11 107 00-08 | shower | 1 | 40 |
| 4 | 09 23 01 097 90 | back-flow preventer | 1 | 2 |
| 5 | 90 11 03 001 00-08 | connection | 1 | 40 |
| 6 | 90 30 02 001 00-08 | hose | 1 | 40 |