



DORNBACHT YARRE Hand shower set with individual rosettes - Soft Black

27 803 832 Product version from 1/1/2023



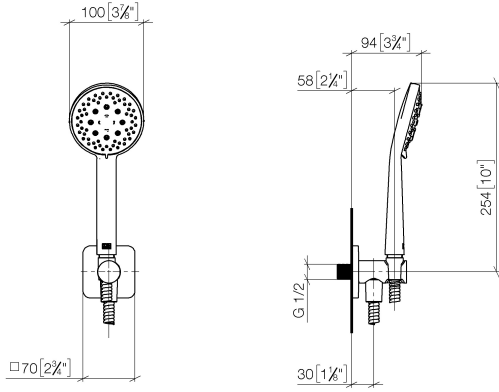
- three settings: normal flow, soft flow, massage flow
- with anti-scale system
- 1/2" shower outlet
- rosette for wall elbow Ø 55mm
- rosette for shower holder Ø 55mm
- metal shower hose 1250mm with integrated anti-twist protection
- 1/2" wall elbow
- max. flow 8.6 l/min
- WRAS

| | | |
|---|------------|---------------|
|  | Soft Black | 27 803 832-69 |
|  | Chrome | 27 803 832-00 |

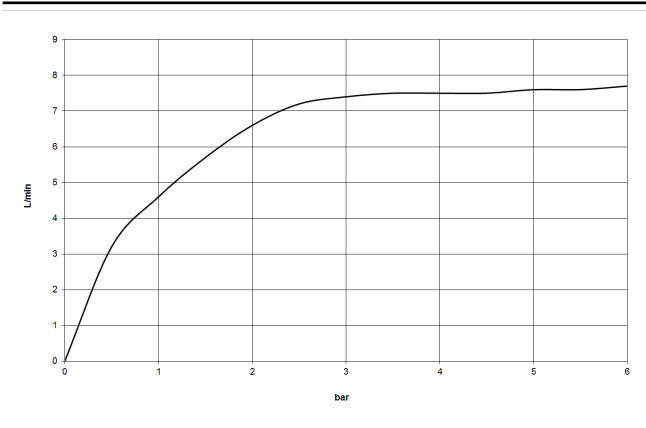
DORNBRAUCH YARRE Hand shower set with individual rosettes - Soft Black

27 803 832 Product version from 1/1/2023

mm [inches]



Flow rate chart



Codes & Standards

DIN 4109

ISO 3822

Scottish Water
Byelaws

UK Water Supply
Regulations

Ü-Zeichen



DORNBACHT YARRE Hand shower set with individual rosettes - Soft Black

27 803 832 Product version from 1/1/2023

Certificates

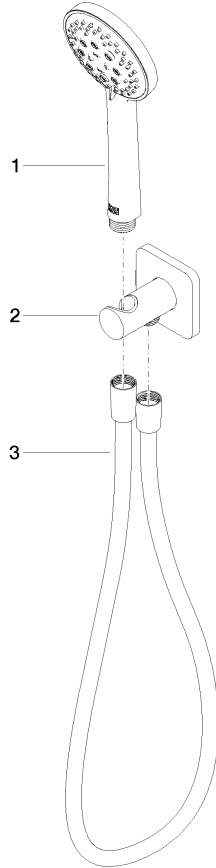
LGA_29

WRAS_2303

DORNBACHT YARRE Hand shower set with individual rosettes - Soft Black

27 803 832 Product version from 1/1/2023

Parts for other finishes can be found here: [Chrome](#)



Spare parts list

| No. | Item Number | Name | Quantity used | Delivery time |
|-----|--------------------|------------|---------------|---------------|
| 1 | 90 12 11 183 00-69 | shower | 1 | 2 |
| 2 | 90 27 83 019 00-69 | connection | 1 | 2 |
| 3 | 90 30 03 010 00-69 | hose | 1 | 2 |