

# WATER TUBE Kneipp wall elbow with hose holder with individual rosettes - Chrome

IMO

27 821 979



Fits: IMO, MEM, CL.1, CYO

- LAMINAR FLOW, max. flow rate 15 l/min (at 3 bar)
- with volume control
- rosette 60 x 60 mm
- holder for Kneipp hose
- 1/2" wall elbow
- without hose

Intrinsic protection against back flow.

Product change as of 1.4.2023: max. flow 15 l/min

	Chrome	27 821 979-00
	Brushed Platinum	27 821 979-06
	Platinum	27 821 979-08
	Dark Chrome	27 821 979-19
	Brushed Light Gold	27 821 979-27
	Brushed Durabronz (23kt Gold)	27 821 979-28
	Matte Black	27 821 979-33
	Brushed Champagne (22kt Gold)	27 821 979-46
	Champagne (22kt Gold)	27 821 979-47
	Brushed Chrome	27 821 979-93
	Brushed Dark Platinum	27 821 979-99

## Recommended miscellaneous

	<b>Concealed wall elbow -</b> ● max. recess depth 163 mm ● min. recess depth 90 mm	35 085 970 90
--	--	---------------

## Required miscellaneous

	<b>WATER TUBE Kneipp hose white 2000 mm - Chrome</b> ● with holding ring ● hose nozzle with sleeve M33	28 285 979-00
--	--	---------------

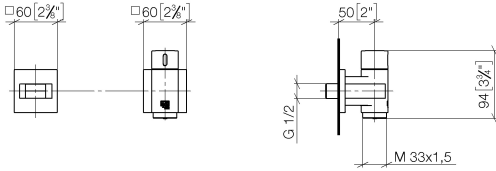
## Required miscellaneous

	<b>WATER TUBE Kneipp hose black 2000 mm - Chrome</b> ● with holding ring ● hose nozzle with sleeve M33	28 286 979-00
--	--	---------------

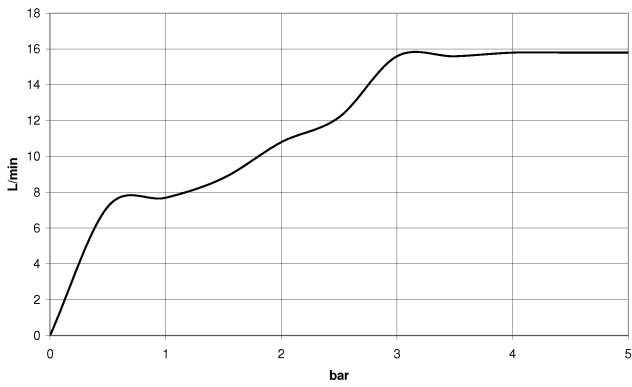
WATER TUBE Kneipp wall elbow with hose holder with individual rosettes -  
Chrome

IMO

27 821 979  
mm [inches]



Flow rate chart



Codes & Standards

EN 1717



WATER TUBE Kneipp wall elbow with hose holder with individual rosettes -  
Chrome

---

IMO

27 821 979

Certificates

---

Belgaqua\_22\_280\_2

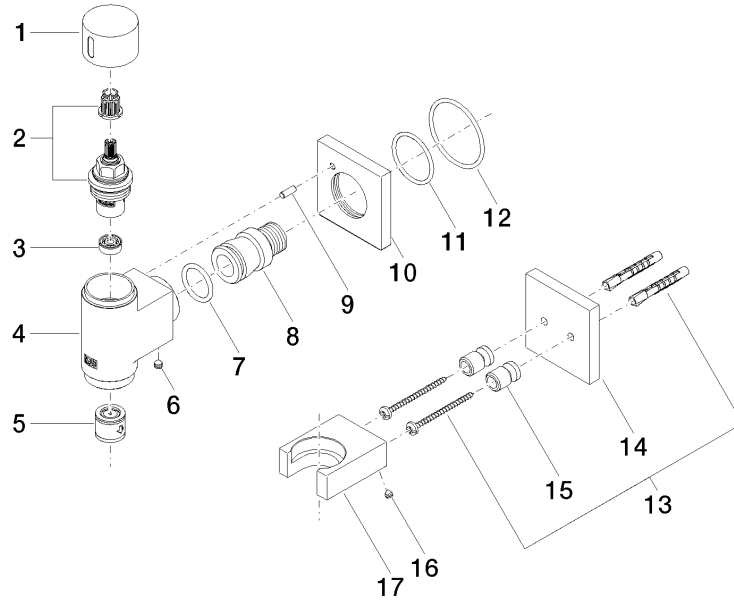
WATER TUBE Kneipp wall elbow with hose holder with individual rosettes -  
Chrome

27 821 979

Product version up to 3/12/2018

Product version from 3/12/2018 to 3/6/2023

**Product version from 3/6/2023**





WATER TUBE Kneipp wall elbow with hose holder with individual rosettes -  
Chrome

---

IMO

27 821 979

Spare parts list

Product version up to 3/12/2018

Product version from 3/12/2018 to 3/6/2023

**Product version from 3/6/2023**

No.	Item Number	Name	Quantity used	Delivery time
	28 486 979-00	connection	8	10